

# KOBELCO

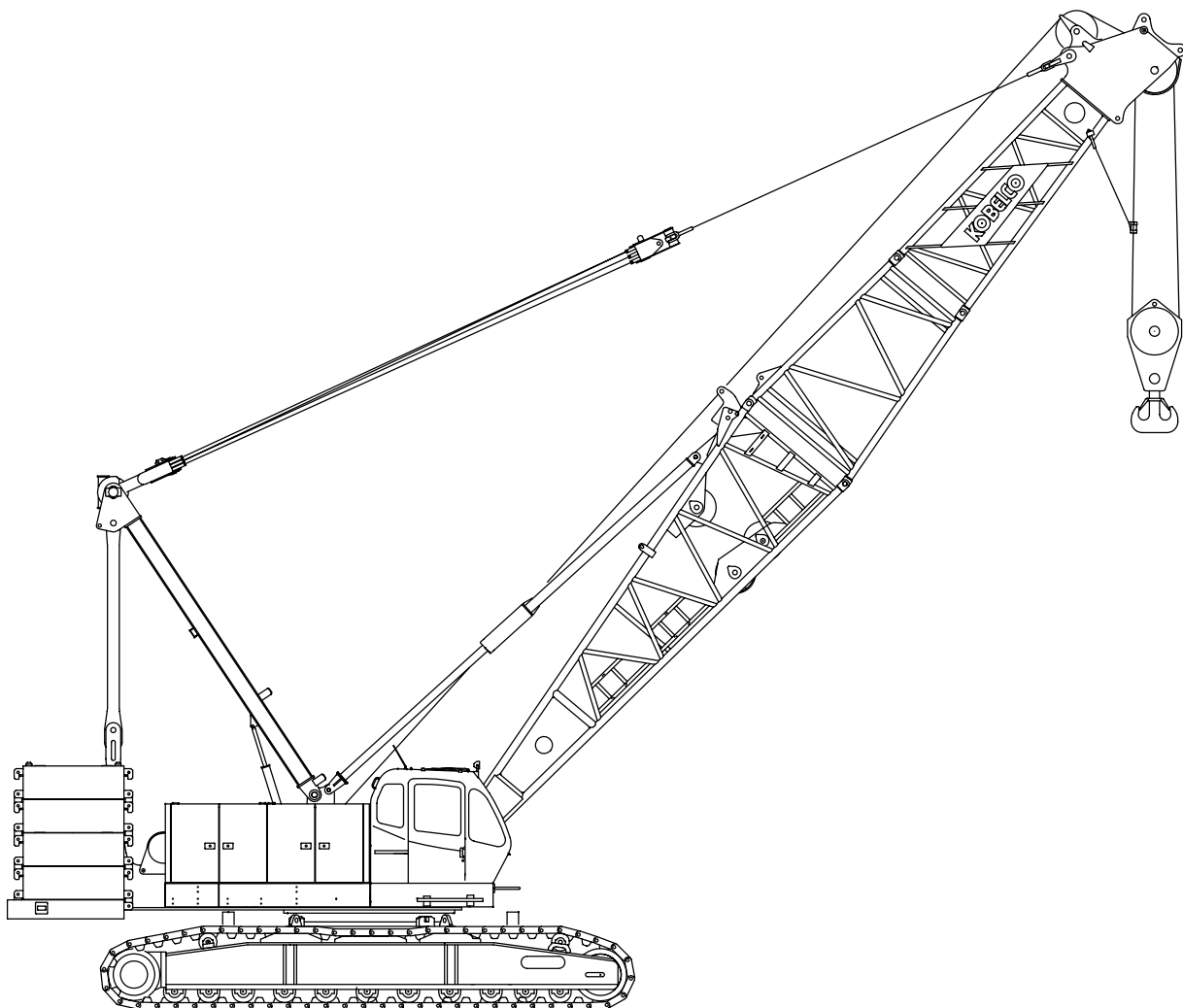
HYDRAULIC CRAWLER CRANE

# CK1600-II

## LUFFING JIB LIFTING CAPACITIES

*Max. Lifting Capacity with Luffing Jib: 79,000 Lbs.*

*Max. Boom + Luffing Jib Length: 157 ft + 175 ft*



# SPECIFICATIONS FOR CK1600-II CRAWLER CRANE

## Luffing Jib

The Kobelco CK1600-II Crawler Crane is designed from the ground up for reliable operation, convenient maintenance and easy transport.

Please consult your Kobelco distributor for additional information regarding specifications, operating parameters and maintenance requirements.

### 1. GENERAL DESCRIPTION

|  |  |
|--|--|
| <b>Type</b>  | Crawler mounted, fully revolving   |
| <b>Maximum lifting capacity with luffing jib</b>             | 79,000 lbs (35,800 kg)<br>(at 40' operating radius)  |
| <b>Maximum boom length</b>                                   | 157' (47.9 m)  |
| <b>Maximum luffing jib length</b>                            | 175' (53.3 m)  |
| <b>Working weight</b>  | Approx. 299,000 lbs (135.5 tons)<br>(Including upper and lower machine, counterweights, 107' boom + 75' jib, hook block) |
| <b>Ground bearing pressure</b><br>(with 107' boom + 75' jib) | Approx. 11.5 psi<br>(79.2 kPa)   |

### 2. WORKING SPEED

|  |  |
|--|--|
| <b>Hoist line speed (front and rear drum)</b>    | 390 ~ 10 ft/min (120 ~ 3 m/min)        |
| <b>Lowering line speed (front and rear drum)</b> | 390 ~ 10 ft/min (120 ~ 3 m/min)        |
| <b>Boom hoist line speed</b>                     | 157 ~ 7 ft/min (48 ~ 2 m/min)          |
| <b>Boom lowering line speed</b>                  | 157 ~ 7 ft/min (48 ~ 2 m/min)          |
| <b>Jib hoist line speed</b>                      | 197 ft/min (60 m/min)                  |
| <b>Jib lowering line speed</b>                   | 197 ft/min (60 m/min)                  |
| <b>Swing speed</b>                               | 2.1 rpm (2.1 min <sup>-1</sup> )       |
| <b>Travel speed (High / Low)</b>                 | 0.81 / 0.56 mph<br>(1.3 / 0.9 km/hour) |

Line speed based on single line, no load and first layer of rope on the drum. Line speed is controllable by Dial-Type Speed Control System.

### 3. LUFFING JIB ATTACHMENTS

#### 3.1 Boom

The welded lattice construction uses tubular, high-tension steel chords with pin connections between sections, extendible up to 157' (47.9 m).

|  |               |
|--|---------------|
| <b>Basic boom length</b>                                       | 107' (32.7 m) |
| <b>Boom tip section (with pin connected boom point sheave)</b> | 2' (0.7 m)    |
| <b>Boom insert section (with idler sheave)</b>                 | 30' (9.14 m)  |
| <b>Boom base section</b>                                       | 25' (7.6 m)   |
| <b>Maximum boom length</b>                                     | 157' (47.9 m) |

#### 3.2 Boom insert

Boom inserts is available to provide extension capabilities. They feature welded lattice construction with tubular, high-tension steel chords and pin connections on each one of 10' (3.1 m), 20' (6.1 m), 40' (12.2 m) in length.

#### 3.3 Jib

The jib employs welded lattice construction with tubular, high-tension steel chords with pin connections between sections, extendible up to 175' (53.3 m).

|                              |  |
|------------------------------|--|
| <b>Basic jib length</b>      | 75' (22.9 m)                               |
| <b>Jib insert</b>            | 14' (4.3 m), 20' (6.1 m)                   |
| <b>Jib tip section</b>       | 21' (6.1 m)                                |
| <b>Jib base section</b>      | 20' (6.4 m)                                |
| <b>No. of point sheaves</b>  | 2  |
| <b>Maximum lift capacity</b> | 79,000 lbs (35.8 tons)                     |
| <b>Maximum jib length</b>    | 175' (53.3 m)                              |
| <b>Insert jib length</b>     | 10' (3.05 m), 20' (6.10 m)<br>40' (12.2 m) |

Jib boom inserts are available to provide extension capabilities. They feature welded lattice construction with tubular, high-tension steel chords and pin connections.

#### 3.4 Auxiliary sheave

One (1) sheave with rollers, required during erection of jib.

#### 3.5 Diameter of wire rope

|                                   |       |
|-----------------------------------|-------|
| <b>Hoist rope</b>                 | 26 mm |
| <b>Jib hoist rope (8 parts)</b>   | 26 mm |
| <b>Boom hoist rope (12 parts)</b> | 20 mm |
| <b>Boom suspension rope</b>       | 30 mm |
| <b>Jib suspension rope</b>        | 30 mm |
| <b>Strut suspension rope</b>      | 30 mm |

#### 3.6 Boom hoist reeving

Twelve (12) parts of 20 mm dia. high strength wire rope.

#### 3.7 Jib hoist reeving

Eight (8) parts of 26 mm dia. high strength wire rope.

#### 3.8 Boom backstops

Telescopic type with spring bumper.

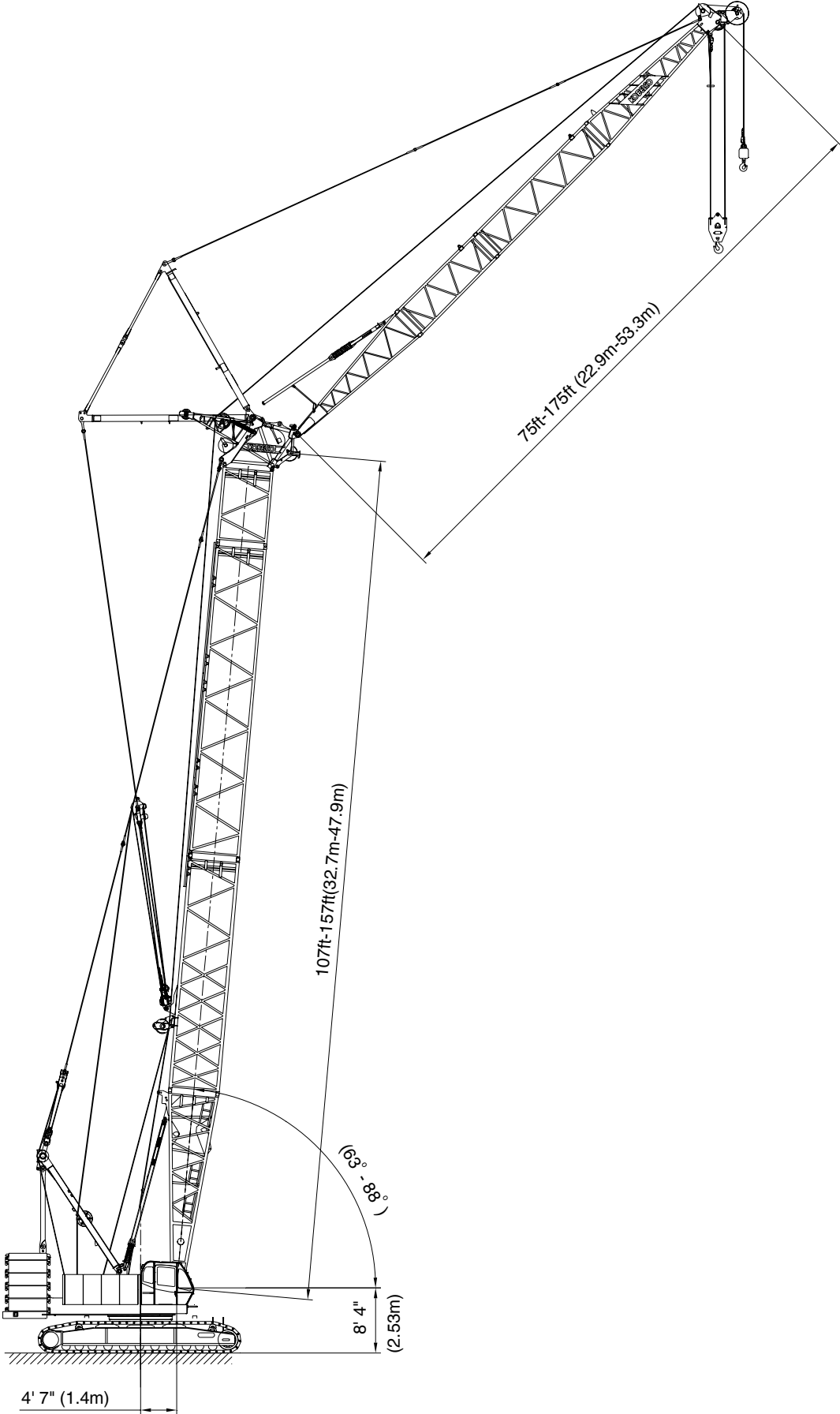
#### 4. JIB HOIST DRUM

- Jib hoist drum** (3rd drum on straight crane)  
Powered by hydraulic motor through planetary reducer.
- Drum** Single drum  
grooved for 26 mm dia. wire rope
- Brake** A spring-set, hydraulically released multiple-disc brake is internally configured in the hoist motor and is operated through a counter-balance valve.  
External ratchet for locking drum.

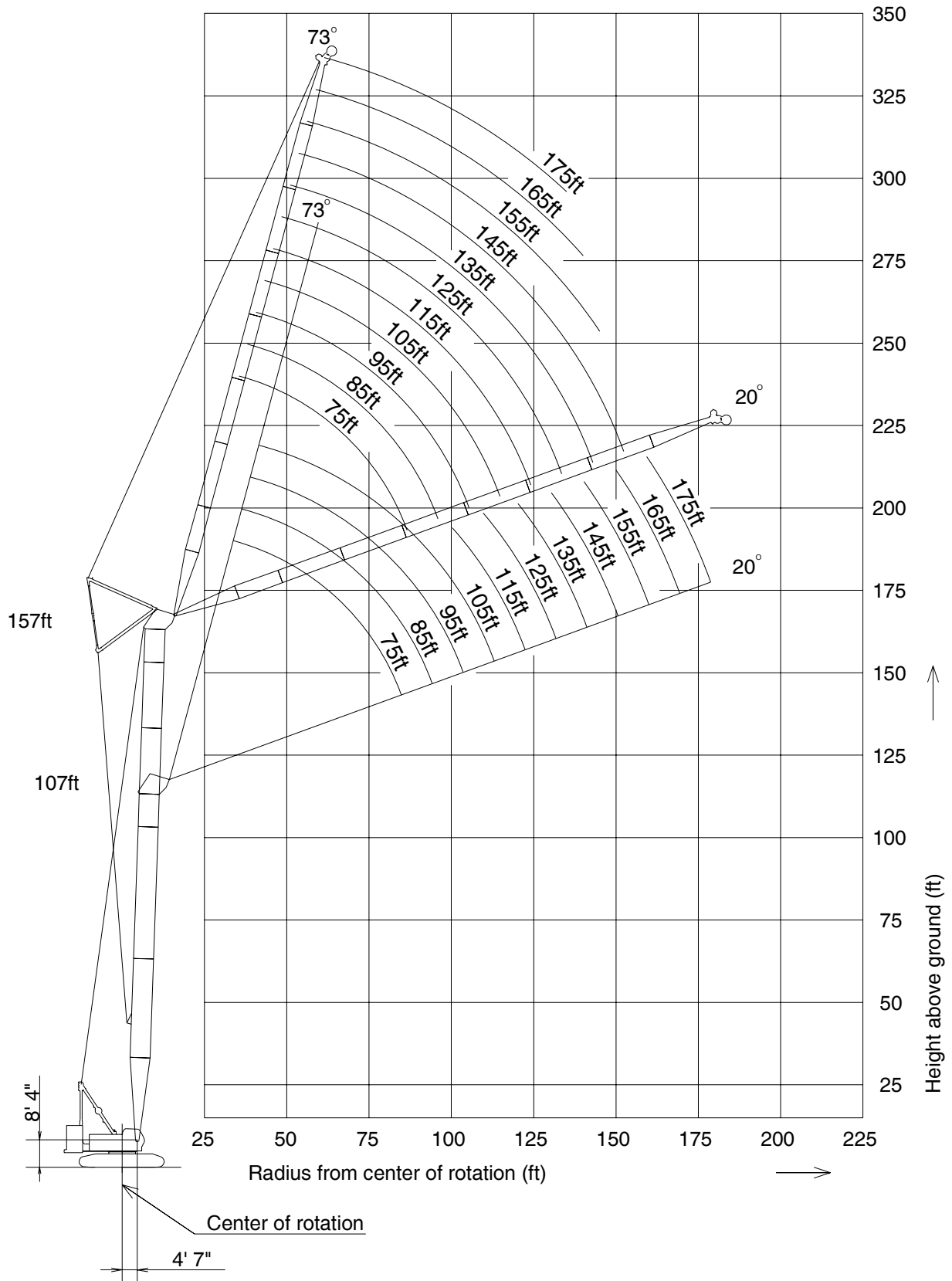
#### 9. SAFETY SERVICE

- Function lock lever
- Hook over hoist shut off (Anti-two-block)
- Boom and jib over hoist limit switch
- Boom angle indicator
- Signal horn
- Boom and jib hoist drum lock
- Front and rear hoist drum lock
- Swing lock
- Swing alarm (Buzzer and lamps)
- Boom backstops
- Jib backstops
- Strut backstops
- Over load preventive device (Load Moment Indicator)

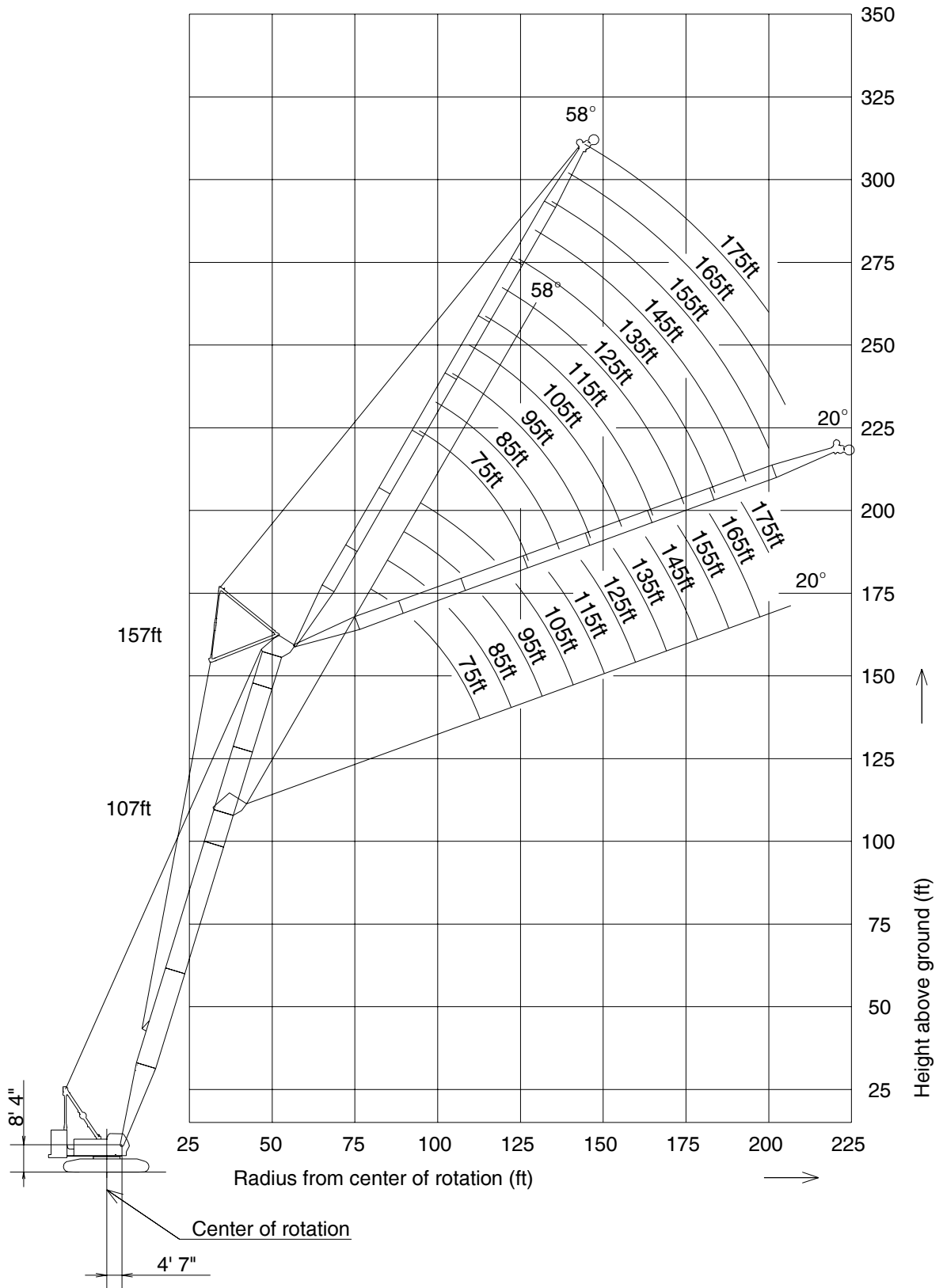
All specifications are subject to change without notice.



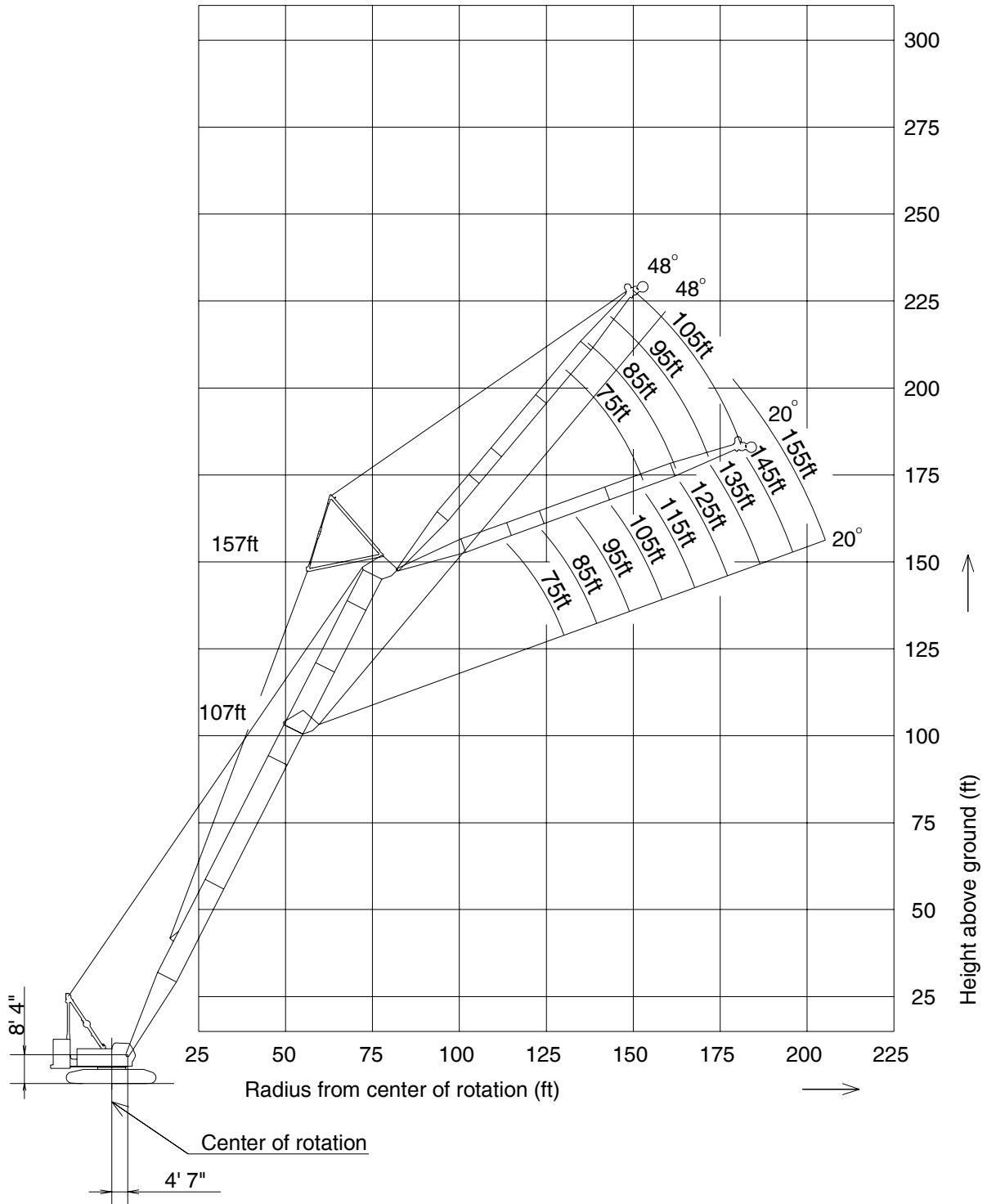
## Boom Angle 88°



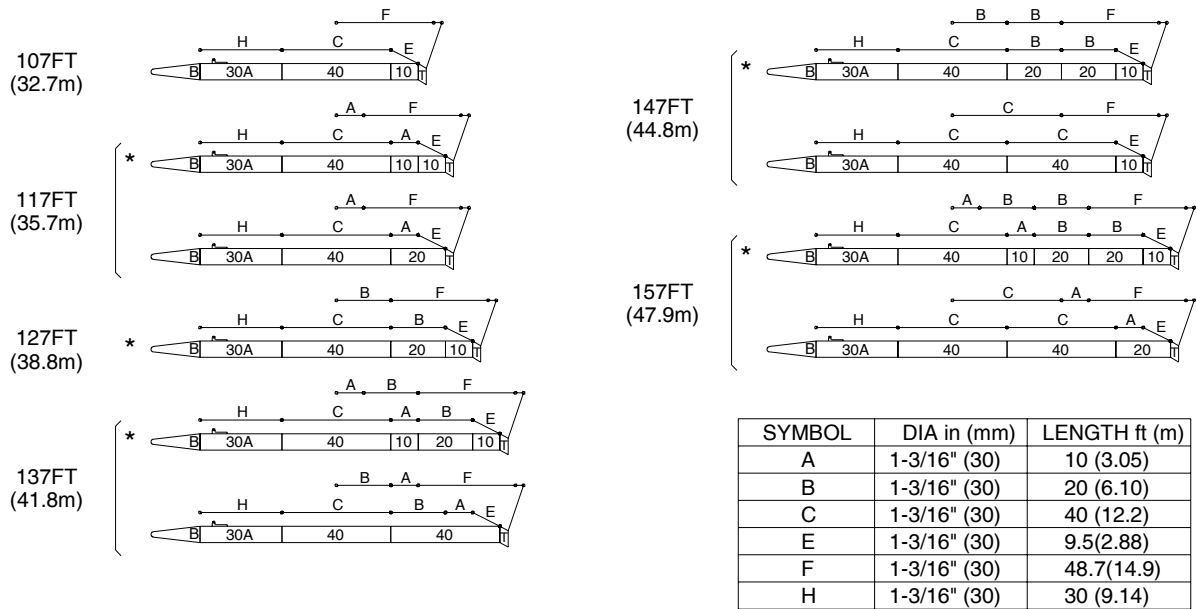
## Boom Angle 73°



## Boom Angle 63°



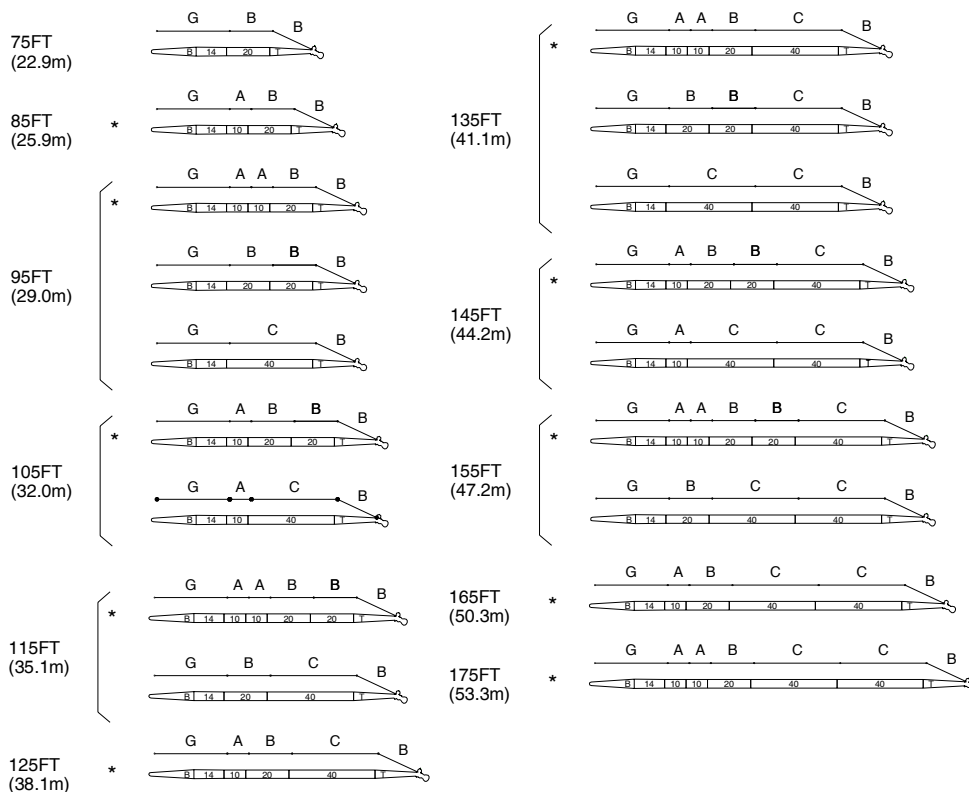
# Boom and Guy Line Arrangement (Luffing Jib) 1/2



ALWAYS CONSULT THIS PLATE FOR THE BOOM AND GUY LINE ARRANGEMENT.

\* MARK SHOWS THE STANDARD BOOM ARRANGEMENT WHICH MAKE THE BOOM ARRANGEMENT OF LESS THAN THE EACH BOOM LENGTH POSSIBLE

# Boom and Guy Line Arrangement (Luffing Jib) 2/2



ALWAYS CONSULT THIS PLATE FOR THE JIB AND GUY LINE ARRANGEMENT.

\* MARK SHOWS THE STANDARD JIB ARRANGEMENT WHICH MAKE THE JIB ARRANGEMENT OF LESS THAN THE EACH JIB LENGTH POSSIBLE.

| SYMBOL | DIA in (mm)  | LENGTH ft (m) |
|--------|--------------|---------------|
| A      | 1-3/16" (30) | 10 (3.05)     |
| B      | 1-3/16" (30) | 20 (6.10)     |
| C      | 1-3/16" (30) | 40 (12.2)     |
| G      | 1-3/16" (30) | 34 (10.3)     |

## Rating Chart Supplemental Data with Luffing Boom Tip

1. Rated loads included in the charts are the maximum allowable freely suspended loads at a given boom length, boom angle and load radius, and have been determined for the machine standing level on firm supporting surface under ideal operating conditions. The user must limit or de-rate rated loads to allow for adverse conditions (such as soft or uneven ground, out-of-level conditions, wind, side loads, pendulum action, jerking or sudden stopping of loads, inexperience of personnel, multiple machine lifts, and traveling with a load).
2. Rated loads do not exceed 75% of minimum tipping loads. Rated loads based on factors other than machine stability such as structural competence are shown by asterisk \* in the charts.
3. The machine must be reeved and set-up as stated in the operation manual and all the instruction manuals if these manuals are missing, obtain replacements.
  - Boom backstops are required for all boom length.
  - Gantry must be fully raised position for all operations.
  - The crane must be leveled to within 1% on a firm supporting surface.
4. Do not attempt to lift where no radius on load is listed as crane may tip or collapse.
5. Attempting to lift more than rated loads may cause machine to tip or collapse. Do not tip machine to determine rated loads.
6. Weight of hooks, hook blocks, slings and other lifting devices are a part of the total load. Their total weight must be subtracted from the rated load to obtain the weight that can be lifted.
7. The total load that can be lifted over boom point with auxiliary sheave is the value for the 1250 lbs deducted from rated load for the boom without auxiliary sheave.
8. The total load that can be lifted over an auxiliary sheave is the value for 1250 lbs deducted from rated load for the boom without auxiliary sheave, but it should not exceed 59,000 lbs.
9. Least stable position is over the side.
10. Maximum hoist load for number of reeving parts of line for hoist rope.
11. Lifting capacities listed apply only to the machine as originally manufactured and designed by KOBELCO CRANES CO., LTD. Modifications to this machine or use of equipment other than that specified can reduce operating capacity.
12. Designed and rated to comply with ANSI Code B30.5.

Operation of this equipment in excess of rated loads or disregard of instruction voids the warranty

### **Main Boom Hoist Loads**

|                      |        |        |        |         |
|----------------------|--------|--------|--------|---------|
| No. of Parts of line | 1      | 2      | 3      | 4       |
| Maximum Loads (lbs)  | 29,500 | 59,000 | 88,500 | 118,000 |

|                      |         |         |
|----------------------|---------|---------|
| No. of Parts of line | 5       | 6       |
| Maximum Loads (lbs)  | 147,500 | 170,000 |

### **Auxiliary Sheave Hoist Loads**

|                      |        |        |
|----------------------|--------|--------|
| No. of Parts of line | 1      | 2      |
| Maximum Loads (lbs)  | 29,500 | 59,000 |

# Rating Chart Supplemental Data for Luffing



- Rated loads included in the charts are the maximum allowable freely suspended loads at a given boom length, boom angle and load radius, and have been determined for the machine standing level on firm supporting surface under ideal operating conditions. The user must limit or de-rate rated loads to allow for adverse conditions (such as soft or uneven ground, out-of-level conditions, wind, side loads, pendulum action, jerking or sudden stopping of loads, inexperience of personnel, multiple machine lifts, and traveling with a load).
- Rated loads do not exceed 75% of minimum tipping loads. Rated loads based on factors other than machine stability such as structural competence are shown by asterisk \* in the charts.
- The machine must be reeved and set-up as stated in the operation manual and all the instruction manuals if these manuals are missing, obtain replacements.
  - Boom backstops are required for all boom length.
  - Gantry must be fully raised position for all operations.
  - The crane must be leveled to within 1% on a firm supporting surface.
- Do not attempt to lift where no radius on load is listed as crane may tip or collapse.
- Attempting to lift more than rated loads may cause machine to tip or collapse. Do not tip machine to determine rated loads.
- Weight of hooks, hook blocks, slings and other lifting devices are a part of the total load. Their total weight must be subtracted from the rated load to obtain the weight that can be lifted.
- The total load that can be lifted over jib is limited by rated jib loads.
- The total load that can be lifted over an auxiliary sheave should not exceed 29,500 lbs.
- Luffing boom and jib combinations.

|                  |     | Jib Length (ft) |    |    |     |     |     |     |     |     |     |     |   |   |
|------------------|-----|-----------------|----|----|-----|-----|-----|-----|-----|-----|-----|-----|---|---|
|                  |     | 75              | 85 | 95 | 105 | 115 | 125 | 135 | 145 | 155 | 165 | 175 |   |   |
| Boom Length (ft) | 107 | 0               | 0  | 0  | 0   | 0   | 0   | 0   | 0   | 0   | 0   | 0   | 0 | 0 |
|                  | 117 | 0               | 0  | 0  | 0   | 0   | 0   | 0   | 0   | 0   | 0   | 0   | 0 | 0 |
|                  | 127 | 0               | 0  | 0  | 0   | 0   | 0   | 0   | 0   | 0   | 0   | 0   | 0 | 0 |
|                  | 137 | 0               | 0  | 0  | 0   | 0   | 0   | 0   | 0   | 0   | 0   | 0   | 0 | 0 |
|                  | 147 | 0               | 0  | 0  | 0   | 0   | 0   | 0   | 0   | 0   | 0   | 0   | 0 | 0 |
|                  | 157 | 0               | 0  | 0  | 0   | 0   | 0   | 0   | 0   | 0   | 0   | 0   | 0 | 0 |

0: Combinations which is allowed.

- The boom should be erected over the front of the crawlers, not laterally. When erecting and lowering for all boom and jib combinations, the blocks for erection must be placed at the end of the crawlers.

- Least stable position is over the side.
- The boom should be erected over the front of the crawlers, not laterally. The blocks for erection must be placed at the end of the crawlers when erecting and lowering the boom.
  - In the case of nine counterweight, the boom length are 127 ft or over.
  - In the case of eleven counterweight and two carbodyweight, the boom length are 147 ft or over.
- Maximum number of reeving parts of line for hoist rope

• Luffing Jib

|                  |     | Jib Length (ft) |    |    |     |     |     |     |     |     |     |     |   |
|------------------|-----|-----------------|----|----|-----|-----|-----|-----|-----|-----|-----|-----|---|
|                  |     | 75              | 85 | 95 | 105 | 115 | 125 | 135 | 145 | 155 | 165 | 175 |   |
| Boom Length (ft) | 107 | 3               | 3  | 3  | 3   | 2   | 2   | 2   | 2   | 2   | 2   | 2   | 2 |
|                  | 117 | 3               | 3  | 3  | 2   | 2   | 2   | 2   | 2   | 2   | 2   | 2   | 2 |
|                  | 127 | 3               | 3  | 3  | 2   | 2   | 2   | 2   | 2   | 2   | 2   | 2   | 2 |
|                  | 137 | 3               | 3  | 2  | 2   | 2   | 2   | 2   | 2   | 2   | 2   | 2   | 2 |
|                  | 147 | 3               | 2  | 2  | 2   | 2   | 2   | 2   | 2   | 2   | 2   | 2   | 2 |
|                  | 157 | 3               | 2  | 2  | 2   | 2   | 2   | 2   | 2   | 2   | 2   | 2   | 2 |

• Crane Boom with Luffing Jib attached

|                  |     | Jib Length (ft) |    |    |     |     |     |     |     |     |     |     |   |
|------------------|-----|-----------------|----|----|-----|-----|-----|-----|-----|-----|-----|-----|---|
|                  |     | 75              | 85 | 95 | 105 | 115 | 125 | 135 | 145 | 155 | 165 | 175 |   |
| Boom Length (ft) | 107 | 4               | 4  | 4  | 4   | 4   | 4   | 3   | 3   | 3   | 3   | 3   | 3 |
|                  | 117 | 4               | 4  | 4  | 4   | 4   | 4   | 3   | 3   | 3   | 3   | 3   | 3 |
|                  | 127 | 4               | 4  | 4  | 3   | 3   | 3   | 3   | 3   | 3   | 3   | 3   | 3 |
|                  | 137 | 3               | 3  | 3  | 3   | 3   | 3   | 3   | 3   | 3   | 3   | 2   | 2 |
|                  | 147 | 3               | 3  | 3  | 3   | 3   | 3   | 3   | 2   | 2   | 2   | 2   | 2 |
|                  | 157 | 3               | 3  | 3  | 3   | 3   | 3   | 2   | 2   | 2   | 2   | 2   | 2 |

- Maximum hoist load for number of reeving parts of line for hoist rope.

**Main Hoist Loads**

| No. of Parts of line | 1      | 2      | 3      | 4       |
|----------------------|--------|--------|--------|---------|
| Maximum Loads (lbs)  | 29,500 | 59,000 | 88,500 | 118,000 |

**Jib Hoist Loads**

| No. of Parts of line | 1      | 2      | 3      |
|----------------------|--------|--------|--------|
| Maximum Loads (lbs)  | 29,500 | 59,000 | 79,000 |

**Auxilliary Hoist Loads**

| No. of Parts of line | 1      |
|----------------------|--------|
| Maximum Loads (lbs)  | 29,500 |

- The total load that can be lifted over a luffing jib with main hook block is the value for 4,000 lbs deducted from rated load for the luffing jib without main hook block.

# Rating Chart Supplemental Data

---

## for Luffing



16. Lifting capacities listed apply only to the machine as originally manufactured and designed by KOBELCO CRANES CO., LTD. Modifications to this machine or use of equipment other than that specified can reduce operating capacity.

Designed and rated to comply with ANSI Code B30.5.

Operation of this equipment in excess of rated loads or disregard of instruction voids the warranty

# Rated Loads in Pounds for CK1600-II Crane Boom with Luffing Jib Attached but not Used

LUFFING JIB ATTACHED TO BOOM AT 25 DEGREE OFFEST ANGLE

11 Counterweights + 2 Low Weights

| 107' Boom         |                  |                 |           |           |          |          |          |          |          |          |          |          |
|-------------------|------------------|-----------------|-----------|-----------|----------|----------|----------|----------|----------|----------|----------|----------|
| Load Radius (ft.) | Boom Angle (deg) | Jib Length (ft) |           |           |          |          |          |          |          |          |          |          |
|                   |                  | 75              | 85        | 95        | 105      | 115      | 125      | 135      | 145      | 155      | 165      | 175      |
| 30                | 79.0             | 109,100 *       | 105,800 * | 102,000 * | 98,800 * | 95,500 * | 91,100 * | 87,400 * | 83,700 * | 78,900 * | 74,700 * | 70,400 * |
| 32                | 77.9             | 99,700 *        | 96,300 *  | 92,800 *  | 89,600 * | 86,500 * | 82,400 * | 78,800 * | 75,100 * | 70,600 * | 66,500 * | 62,300 * |
| 34                | 76.8             | 91,500          | 88,300    | 84,800    | 81,800   | 78,800   | 74,900   | 71,400   | 67,800   | 63,400   | 59,500   | 55,400   |
| 36                | 75.7             | 84,300          | 81,200    | 77,800    | 74,900   | 71,900   | 68,200   | 64,700   | 61,300   | 57,100   | 53,400   | 49,400   |
| 38                | 74.6             | 77,000          | 74,100    | 70,700    | 68,000   | 65,100   | 61,400   | 58,100   | 54,900   | 50,800   | 47,200   | 43,300   |
| 40                | 73.4             | 70,300          | 67,400    | 64,200    | 61,500   | 58,700   | 55,200   | 51,900   | 48,800   | 44,900   | 41,400   | 37,700   |
| 45                | 70.6             | 56,500          | 53,700    | 50,700    | 48,100   | 45,400   | 42,100   | 39,100   | 36,200   | 32,500   | 29,100   | 25,800   |
| 50                | 67.7             | 46,000          | 43,300    | 40,600    | 38,100   | 35,600   | 32,400   | 29,700   | 26,800   | 23,200   | 20,100   | 17,000   |
| 55                | 64.7             | 37,600          | 35,000    | 32,300    | 30,000   | 27,600   | 24,600   | 22,000   | 19,200   | 15,800   |          |          |
| 60                | 61.6             | 30,700          | 28,300    | 25,600    | 23,400   | 21,000   | 18,200   |          |          |          |          |          |
| 65                | 58.4             | 25,300          | 22,900    | 20,400    | 18,200   | 16,000   | 13,100   |          |          |          |          |          |
| 70                | 55.1             | 21,000          | 18,500    | 16,100    | 14,100   |          |          |          |          |          |          |          |
| 75                | 51.7             | 17,200          | 14,900    |           |          |          |          |          |          |          |          |          |
| 80                | 48.0             | 14,000          |           |           |          |          |          |          |          |          |          |          |
| 85                | 44.2             | 11,100          |           |           |          |          |          |          |          |          |          |          |
| 117' Boom         |                  |                 |           |           |          |          |          |          |          |          |          |          |
| Load Radius (ft.) | Boom Angle (deg) | Jib Length (ft) |           |           |          |          |          |          |          |          |          |          |
|                   |                  | 75              | 85        | 95        | 105      | 115      | 125      | 135      | 145      | 155      | 165      | 175      |
| 30                | 80.0             | 106,200 *       | 102,700 * | 99,200 *  | 95,900 * | 92,600 * | 88,600 * | 84,900 * | 81,200 * | 76,500 * | 72,400 * | 68,000 * |
| 32                | 79.0             | 97,300 *        | 93,900 *  | 90,400 *  | 87,400 * | 84,200 * | 80,300 * | 76,700 * | 73,100 * | 68,600 * | 64,800 * | 60,500 * |
| 34                | 78.0             | 89,600 *        | 86,400 *  | 83,000 *  | 80,100 * | 77,100 * | 73,200 * | 69,800 * | 66,300 * | 62,000 * | 58,300 * | 54,200 * |
| 36                | 76.9             | 82,900 *        | 79,800 *  | 76,500 *  | 73,800 * | 70,800 * | 67,000 * | 63,700 * | 60,400 * | 56,200 * | 52,600 * | 48,700 * |
| 38                | 75.9             | 76,200 *        | 73,200 *  | 70,100 *  | 67,400 * | 64,500 * | 60,800 * | 57,700 * | 54,500 * | 50,400 * | 46,900 * | 43,200 * |
| 40                | 74.9             | 69,900          | 67,000    | 64,000    | 61,400   | 58,500   | 55,000   | 52,000   | 48,900   | 44,900   | 41,500   | 38,000   |
| 45                | 72.3             | 56,500          | 53,600    | 50,700    | 48,200   | 45,600   | 42,400   | 39,500   | 36,600   | 32,800   | 29,700   | 26,400   |
| 50                | 69.7             | 46,000          | 43,400    | 40,600    | 38,300   | 35,800   | 32,700   | 30,000   | 27,200   | 23,800   | 20,700   | 17,500   |
| 55                | 67.0             | 37,600          | 35,100    | 32,300    | 30,200   | 27,800   | 24,800   | 22,200   | 19,600   | 16,400   |          |          |
| 60                | 64.3             | 30,700          | 28,300    | 25,600    | 23,700   | 21,300   | 18,400   |          |          |          |          |          |
| 65                | 61.5             | 25,300          | 22,900    | 20,400    | 18,400   | 16,200   | 13,600   |          |          |          |          |          |
| 70                | 58.6             | 20,800          | 18,500    | 16,100    | 14,100   |          |          |          |          |          |          |          |
| 75                | 55.6             | 17,100          | 14,900    |           |          |          |          |          |          |          |          |          |
| 80                | 52.5             | 14,000          |           |           |          |          |          |          |          |          |          |          |
| 85                | 49.2             | 11,100          |           |           |          |          |          |          |          |          |          |          |
| 127' Boom         |                  |                 |           |           |          |          |          |          |          |          |          |          |
| Load Radius (ft.) | Boom Angle (deg) | Jib Length (ft) |           |           |          |          |          |          |          |          |          |          |
|                   |                  | 75              | 85        | 95        | 105      | 115      | 125      | 135      | 145      | 155      | 165      | 175      |
| 32                | 79.9             | 95,400 *        | 92,100 *  | 88,600 *  | 85,500 * | 82,500 * | 78,500 * | 75,200 * | 71,500 * | 67,300 * | 63,400 * | 59,200 * |
| 34                | 78.9             | 87,300 *        | 84,300 *  | 81,000 *  | 78,000 * | 75,000 * | 71,300 * | 67,800 * | 64,400 * | 60,300 * | 56,600 * | 52,700 * |
| 36                | 78.0             | 80,700 *        | 77,700 *  | 74,500 *  | 71,700 * | 68,800 * | 65,100 * | 61,800 * | 58,500 * | 54,500 * | 50,900 * | 47,200 * |
| 38                | 77.1             | 74,100 *        | 71,200 *  | 68,100 *  | 65,300 * | 62,600 * | 59,000 * | 55,900 * | 52,700 * | 48,800 * | 45,300 * | 41,600 * |
| 40                | 76.1             | 68,100          | 65,200    | 62,200    | 59,500   | 56,900   | 53,400   | 50,400   | 47,300   | 43,600   | 40,100   | 36,600   |
| 45                | 73.8             | 55,800          | 53,100    | 50,200    | 47,800   | 45,300   | 42,000   | 39,300   | 36,400   | 32,800   | 29,700   | 26,300   |
| 50                | 71.4             | 45,600          | 42,900    | 40,200    | 37,900   | 35,500   | 32,500   | 29,800   | 27,100   | 23,700   | 20,800   | 17,700   |
| 55                | 69.0             | 37,200          | 34,600    | 32,100    | 29,900   | 27,500   | 24,700   | 22,100   | 19,500   | 16,200   |          |          |
| 60                | 66.5             | 30,500          | 28,000    | 25,600    | 23,400   | 21,200   | 18,400   |          |          |          |          |          |
| 65                | 63.9             | 25,100          | 22,700    | 20,200    | 18,200   | 16,000   | 13,400   |          |          |          |          |          |
| 70                | 61.4             | 20,600          | 18,300    | 15,900    | 14,100   |          |          |          |          |          |          |          |
| 75                | 58.7             | 16,700          | 14,600    |           |          |          |          |          |          |          |          |          |

# Rated Loads in Pounds for CK1600-II Crane Boom with Luffing Jib Attached but not Used

LUFFING JIB ATTACHED TO BOOM AT 25 DEGREE OFFEST ANGLE

11 Counterweights + 2 Low Weights

| 137' Boom         |                  |                 |          |          |          |          |          |          |          |          |          |          |
|-------------------|------------------|-----------------|----------|----------|----------|----------|----------|----------|----------|----------|----------|----------|
| Load Radius (ft.) | Boom Angle (deg) | Jib Length (ft) |          |          |          |          |          |          |          |          |          |          |
|                   |                  | 75              | 85       | 95       | 105      | 115      | 125      | 135      | 145      | 155      | 165      | 175      |
| 34                | 79.7             | 85,500 *        | 82,300 * | 79,000 * | 76,100 * | 73,300 * | 69,600 * | 66,300 * | 62,800 * | 58,700 * | 54,900 * | 51,200 * |
| 36                | 78.9             | 79,100 *        | 76,000 * | 72,800 * | 70,000 * | 67,200 * | 63,700 * | 60,500 * | 57,100 * | 53,100 * | 49,600 * | 45,900 * |
| 38                | 78.0             | 72,700 *        | 69,700 * | 66,600 * | 63,900 * | 61,200 * | 57,800 * | 54,600 * | 51,500 * | 47,600 * | 44,200 * | 40,600 * |
| 40                | 77.2             | 66,900          | 64,000   | 61,000   | 58,400   | 55,700   | 52,400   | 49,400   | 46,300   | 42,600   | 39,300   | 35,800   |
| 45                | 75.0             | 55,600          | 52,900   | 50,000   | 47,800   | 45,100   | 42,000   | 39,300   | 36,400   | 32,900   | 29,700   | 26,600   |
| 50                | 72.8             | 45,600          | 42,900   | 40,200   | 38,000   | 35,600   | 32,600   | 30,000   | 27,300   | 23,900   | 21,100   | 18,000   |
| 55                | 70.6             | 37,200          | 34,600   | 32,100   | 29,900   | 27,700   | 24,700   | 22,300   | 19,800   | 16,500   |          |          |
| 60                | 68.3             | 30,400          | 28,000   | 25,600   | 23,400   | 21,300   | 18,600   | 16,200   |          |          |          |          |
| 65                | 66.0             | 24,900          | 22,700   | 20,200   | 18,200   | 16,200   | 13,600   | 11,200   |          |          |          |          |
| 70                | 63.7             | 20,500          | 18,300   | 15,900   | 14,100   |          |          |          |          |          |          |          |
| 75                | 61.3             | 16,700          | 14,500   |          |          |          |          |          |          |          |          |          |
| 147' Boom         |                  |                 |          |          |          |          |          |          |          |          |          |          |
| Load Radius (ft.) | Boom Angle (deg) | Jib Length (ft) |          |          |          |          |          |          |          |          |          |          |
|                   |                  | 75              | 85       | 95       | 105      | 115      | 125      | 135      | 145      | 155      | 165      | 175      |
| 36                | 79.7             | 77,500 *        | 74,700 * | 71,400 * | 68,800 * | 66,000 * | 62,300 * | 59,300 * | 56,000 * | 52,100 * | 48,600 * | 44,900 * |
| 38                | 78.9             | 71,500 *        | 68,800 * | 65,600 * | 63,000 * | 60,300 * | 56,800 * | 53,900 * | 50,700 * | 46,900 * | 43,500 * | 39,900 * |
| 40                | 78.1             | 66,000 *        | 63,400 * | 60,300 * | 57,700 * | 55,100 * | 51,800 * | 48,900 * | 45,900 * | 42,200 * | 38,900 * | 35,400 * |
| 45                | 76.0             | 55,100 *        | 52,500 * | 49,600 * | 47,300 * | 44,800 * | 41,500 * | 38,900 * | 36,200 * | 32,600 * | 29,700 * | 26,300 * |
| 50                | 74.0             | 45,400          | 42,900   | 40,200   | 38,000   | 35,700   | 32,700   | 30,200   | 27,500   | 24,100   | 21,400   | 18,400   |
| 55                | 72.0             | 37,100          | 34,800   | 32,100   | 30,000   | 27,800   | 25,000   | 22,600   | 20,000   | 16,900   |          |          |
| 60                | 69.9             | 30,200          | 28,000   | 25,400   | 23,400   | 21,300   | 18,600   | 16,200   |          |          |          |          |
| 65                | 67.8             | 24,900          | 22,700   | 20,200   | 18,200   | 16,200   | 13,600   | 11,400   |          |          |          |          |
| 70                | 65.6             | 20,400          | 18,200   | 15,900   | 13,900   |          |          |          |          |          |          |          |
| 75                | 63.4             | 16,500          | 14,400   |          |          |          |          |          |          |          |          |          |
| 157' Boom         |                  |                 |          |          |          |          |          |          |          |          |          |          |
| Load Radius (ft.) | Boom Angle (deg) | Jib Length (ft) |          |          |          |          |          |          |          |          |          |          |
|                   |                  | 75              | 85       | 95       | 105      | 115      | 125      | 135      | 145      | 155      | 165      | 175      |
| 38                | 79.6             | 69,900 *        | 67,000 * | 64,000 * | 61,400 * | 58,600 * | 55,300 * | 52,300 * | 49,200 * | 45,400 * | 42,200 * | 38,700 * |
| 40                | 78.8             | 64,900 *        | 62,100 * | 59,200 * | 56,600 * | 54,000 * | 50,700 * | 47,800 * | 44,800 * | 41,100 * | 38,000 * | 34,500 * |
| 45                | 77.0             | 53,800 *        | 51,100 * | 48,500 * | 46,000 * | 43,600 * | 40,600 * | 37,800 * | 35,100 * | 31,700 * | 28,600 * | 25,500 * |
| 50                | 75.1             | 44,800          | 42,300   | 39,800   | 37,500   | 35,200   | 32,300   | 29,700   | 27,100   | 23,900   | 21,100   | 18,200   |
| 55                | 73.2             | 36,900          | 34,600   | 32,100   | 30,000   | 27,800   | 25,000   | 22,600   | 20,100   | 17,000   |          |          |
| 60                | 71.2             | 30,000          | 27,800   | 25,400   | 23,400   | 21,300   | 18,600   | 16,200   |          |          |          |          |
| 65                | 69.3             | 24,600          | 22,400   | 20,000   | 18,200   | 16,200   | 13,600   | 11,400   |          |          |          |          |
| 70                | 67.3             | 20,200          | 18,100   | 15,800   | 13,900   |          |          |          |          |          |          |          |
| 75                | 65.2             | 16,300          | 14,300   |          |          |          |          |          |          |          |          |          |

# CK1600-II Luffing Jib Rated Loads in Pounds

11 Counterweights + 2 Low Weights

| 107' Boom         |            |          |        |        |        |        |                   |            |          |        |        |        |        |  |
|-------------------|------------|----------|--------|--------|--------|--------|-------------------|------------|----------|--------|--------|--------|--------|--|
| Load Radius (ft.) | 75 ft Jib  |          |        |        |        |        | Load Radius (ft.) | 85 ft Jib  |          |        |        |        |        |  |
|                   | Boom Angle |          |        |        |        |        |                   | Boom Angle |          |        |        |        |        |  |
|                   | 88         | 83       | 78     | 73     | 68     | 63     |                   | 88         | 83       | 78     | 73     | 68     | 63     |  |
| 40                | 79,000 *   |          |        |        |        |        | 40                |            |          |        |        |        |        |  |
| 45                | 72,000 *   |          |        |        |        |        | 45                |            |          |        |        |        |        |  |
| 50                | 65,000 *   |          |        |        |        |        | 50                | 66,000 *   |          |        |        |        |        |  |
| 55                | 59,000 *   |          |        |        |        |        | 55                | 59,000 *   |          |        |        |        |        |  |
| 60                | 52,200 *   | 57,200   |        |        |        |        | 60                | 52,900 *   | 56,700   |        |        |        |        |  |
| 65                | 45,400 *   | 51,500   |        |        |        |        | 65                | 46,200 *   | 51,400   |        |        |        |        |  |
| 70                | 39,900 *   | 46,800 * | 44,200 |        |        |        | 70                | 40,700 *   | 46,800   |        |        |        |        |  |
| 75                | 35,000 *   | 42,700 * | 40,600 |        |        |        | 75                | 36,100 *   | 42,800   |        |        |        |        |  |
| 80                | 29,700 *   | 39,200 * | 37,400 |        |        |        | 80                | 32,100 *   | 39,400   | 37,000 |        |        |        |  |
| 85                |            | 35,200 * | 34,700 | 32,100 |        |        | 85                | 28,800 *   | 36,400   | 34,200 |        |        |        |  |
| 90                |            | 31,000 * | 32,200 | 30,200 |        |        | 90                |            | 33,200 * | 31,800 |        |        |        |  |
| 95                |            |          | 30,000 | 28,100 |        |        | 95                |            | 29,700 * | 29,700 | 27,900 |        |        |  |
| 100               |            |          | 28,100 | 26,300 | 24,200 |        | 100               |            | 26,400 * | 27,700 | 26,100 |        |        |  |
| 105               |            |          | 26,300 | 24,600 | 23,100 |        | 105               |            | 20,700 * | 26,100 | 24,500 | 22,100 |        |  |
| 110               |            |          |        | 23,100 | 21,800 |        | 110               |            |          | 24,500 | 23,000 | 21,300 |        |  |
| 115               |            |          |        |        | 20,500 | 18,600 | 115               |            |          | 23,000 | 21,700 | 20,100 |        |  |
| 120               |            |          |        |        | 19,400 | 17,900 | 120               |            |          |        | 20,500 | 19,000 | 17,100 |  |
| 125               |            |          |        |        |        | 16,900 | 125               |            |          |        |        | 17,900 | 16,600 |  |
| 130               |            |          |        |        |        |        | 130               |            |          |        |        |        | 15,700 |  |
| 135               |            |          |        |        |        |        | 135               |            |          |        |        |        | 14,800 |  |
| 140               |            |          |        |        |        |        | 140               |            |          |        |        |        |        |  |
| 145               |            |          |        |        |        |        | 145               |            |          |        |        |        |        |  |
| 150               |            |          |        |        |        |        | 150               |            |          |        |        |        |        |  |
| 155               |            |          |        |        |        |        | 155               |            |          |        |        |        |        |  |
| 160               |            |          |        |        |        |        | 160               |            |          |        |        |        |        |  |
| 165               |            |          |        |        |        |        | 165               |            |          |        |        |        |        |  |
| 170               |            |          |        |        |        |        | 170               |            |          |        |        |        |        |  |

| 107' Boom         |            |          |        |        |        |        |                   |            |          |        |        |        |        |  |
|-------------------|------------|----------|--------|--------|--------|--------|-------------------|------------|----------|--------|--------|--------|--------|--|
| Load Radius (ft.) | 95 ft Jib  |          |        |        |        |        | Load Radius (ft.) | 105 ft Jib |          |        |        |        |        |  |
|                   | Boom Angle |          |        |        |        |        |                   | Boom Angle |          |        |        |        |        |  |
|                   | 88         | 83       | 78     | 73     | 68     | 63     |                   | 88         | 83       | 78     | 73     | 68     | 63     |  |
| 40                |            |          |        |        |        |        | 40                |            |          |        |        |        |        |  |
| 45                |            |          |        |        |        |        | 45                |            |          |        |        |        |        |  |
| 50                | 66,000 *   |          |        |        |        |        | 50                | 64,000 *   |          |        |        |        |        |  |
| 55                | 59,000 *   |          |        |        |        |        | 55                | 59,000 *   |          |        |        |        |        |  |
| 60                | 53,100 *   |          |        |        |        |        | 60                | 53,300 *   |          |        |        |        |        |  |
| 65                | 46,500 *   |          |        |        |        |        | 65                | 46,700 *   |          |        |        |        |        |  |
| 70                | 41,000 *   | 46,400   |        |        |        |        | 70                | 41,200 *   | 46,100   |        |        |        |        |  |
| 75                | 36,500 *   | 42,500   |        |        |        |        | 75                | 36,800 *   | 42,200   |        |        |        |        |  |
| 80                | 32,600 *   | 39,100   | 36,300 |        |        |        | 80                | 33,000 *   | 38,900   |        |        |        |        |  |
| 85                | 29,300 *   | 36,100   | 33,900 |        |        |        | 85                | 29,700 *   | 35,900   | 33,200 |        |        |        |  |
| 90                | 26,400 *   | 33,300 * | 31,500 |        |        |        | 90                | 26,800 *   | 33,100 * | 31,100 |        |        |        |  |
| 95                | 23,800 *   | 30,400 * | 29,400 |        |        |        | 95                | 24,400 *   | 30,600 * | 29,100 |        |        |        |  |
| 100               |            | 27,300 * | 27,400 | 25,700 |        |        | 100               | 22,000 *   | 27,900 * | 27,200 |        |        |        |  |
| 105               |            | 24,600 * | 25,700 | 24,100 |        |        | 105               |            | 25,300 * | 25,500 | 23,500 |        |        |  |
| 110               |            | 21,800 * | 24,200 | 22,700 |        |        | 110               |            | 22,900 * | 24,000 | 22,400 |        |        |  |
| 115               |            |          | 22,800 | 21,300 | 19,400 |        | 115               |            | 20,900 * | 22,500 | 21,100 |        |        |  |
| 120               |            |          | 21,400 | 20,100 | 18,700 |        | 120               |            | 18,500 * | 21,300 | 19,900 | 18,100 |        |  |
| 125               |            |          |        | 19,000 | 17,600 | 15,700 | 125               |            |          | 20,100 | 18,900 | 17,400 |        |  |
| 130               |            |          |        | 18,000 | 16,700 | 15,300 | 130               |            |          | 19,000 | 17,800 | 16,500 |        |  |
| 135               |            |          |        |        | 15,800 | 14,500 | 135               |            |          |        | 16,900 | 15,600 | 13,700 |  |
| 140               |            |          |        |        | 14,900 | 13,700 | 140               |            |          |        |        | 14,700 | 13,500 |  |
| 145               |            |          |        |        |        | 13,100 | 145               |            |          |        |        | 14,100 | 12,800 |  |
| 150               |            |          |        |        |        | 12,400 | 150               |            |          |        |        | 13,300 | 12,200 |  |
| 155               |            |          |        |        |        |        | 155               |            |          |        |        |        | 11,500 |  |
| 160               |            |          |        |        |        |        | 160               |            |          |        |        |        |        |  |
| 165               |            |          |        |        |        |        | 165               |            |          |        |        |        |        |  |
| 170               |            |          |        |        |        |        | 170               |            |          |        |        |        |        |  |

# CK1600-II Luffing Jib Rated Loads in Pounds

11 Counterweights + 2 Low Weights

| 107' Boom         |            |          |          |        |        |        | 107' Boom         |            |          |          |        |        |        |
|-------------------|------------|----------|----------|--------|--------|--------|-------------------|------------|----------|----------|--------|--------|--------|
| Load Radius (ft.) | 115 ft Jib |          |          |        |        |        | Load Radius (ft.) | 125 ft Jib |          |          |        |        |        |
|                   | Boom Angle |          |          |        |        |        |                   | Boom Angle |          |          |        |        |        |
|                   | 88         | 83       | 78       | 73     | 68     | 63     |                   | 88         | 83       | 78       | 73     | 68     | 63     |
| 50                |            |          |          |        |        |        | 50                |            |          |          |        |        |        |
| 55                | 56,500 *   |          |          |        |        |        | 55                | 51,700 *   |          |          |        |        |        |
| 60                | 53,000 *   |          |          |        |        |        | 60                | 49,500 *   |          |          |        |        |        |
| 65                | 46,700 *   |          |          |        |        |        | 65                | 46,000 *   |          |          |        |        |        |
| 70                | 41,400 *   |          |          |        |        |        | 70                | 41,800 *   |          |          |        |        |        |
| 75                | 37,000 *   | 41,900   |          |        |        |        | 75                | 37,200 *   | 41,300   |          |        |        |        |
| 80                | 33,200 *   | 38,600   |          |        |        |        | 80                | 33,500 *   | 38,200   |          |        |        |        |
| 85                | 29,900 *   | 35,700   |          |        |        |        | 85                | 30,200 *   | 35,300   |          |        |        |        |
| 90                | 27,100 *   | 32,900 * |          |        |        |        | 90                | 27,300 *   | 32,400 * |          |        |        |        |
| 95                | 24,600 *   | 30,400 * | 28,800   |        |        |        | 95                | 24,900 *   | 29,900 * | 28,100   |        |        |        |
| 100               | 22,400 *   | 28,200 * | 27,000   |        |        |        | 100               | 22,700 *   | 27,700 * | 26,800   |        |        |        |
| 105               | 20,500 *   | 25,500 * | 25,200   |        |        |        | 105               | 20,700 *   | 25,500 * | 25,200   |        |        |        |
| 110               | 18,700 *   | 23,300 * | 23,800   | 22,200 |        |        | 110               | 18,900 *   | 23,300 * | 23,600   |        |        |        |
| 115               | 16,900 *   | 21,300 * | 22,300   | 20,900 |        |        | 115               | 17,100 *   | 21,300 * | 22,200   | 20,200 |        |        |
| 120               |            | 19,400 * | 21,100   | 19,700 |        |        | 120               | 15,600 *   | 19,600 * | 21,000   | 19,400 |        |        |
| 125               |            | 17,800 * | 19,900   | 18,700 | 16,600 |        | 125               | 14,100 *   | 17,800 * | 19,900   | 18,200 |        |        |
| 130               |            | 15,600 * | 18,900   | 17,700 | 16,200 |        | 130               |            | 16,500 * | 18,800   | 17,300 |        |        |
| 135               |            |          | 17,900   | 16,700 | 15,400 |        | 135               |            | 14,900 * | 17,800   | 16,400 | 14,900 |        |
| 140               |            |          | 16,300 * | 15,900 | 14,500 | 12,600 | 140               |            | 13,200 * | 16,900   | 15,500 | 14,200 |        |
| 145               |            |          |          | 15,100 | 13,800 | 12,500 | 145               |            |          | 15,900 * | 14,700 | 13,400 |        |
| 150               |            |          |          |        | 13,200 | 11,900 | 150               |            |          | 14,500 * | 14,100 | 12,700 | 11,400 |
| 155               |            |          |          |        | 12,500 | 11,200 | 155               |            |          |          | 13,400 | 12,200 | 10,800 |
| 160               |            |          |          |        |        | 10,600 | 160               |            |          |          |        | 11,500 | 10,200 |
| 165               |            |          |          |        |        | 10,100 | 165               |            |          |          |        | 11,000 | 9,700  |
| 170               |            |          |          |        |        |        | 170               |            |          |          |        |        | 9,100  |
| 175               |            |          |          |        |        |        | 175               |            |          |          |        |        | 8,700  |
| 180               |            |          |          |        |        |        | 180               |            |          |          |        |        |        |

| 107' Boom         |            |          |          |        |        |       | 107' Boom         |            |          |          |        |        |       |
|-------------------|------------|----------|----------|--------|--------|-------|-------------------|------------|----------|----------|--------|--------|-------|
| Load Radius (ft.) | 135 ft Jib |          |          |        |        |       | Load Radius (ft.) | 145 ft Jib |          |          |        |        |       |
|                   | Boom Angle |          |          |        |        |       |                   | Boom Angle |          |          |        |        |       |
|                   | 88         | 83       | 78       | 73     | 68     | 63    |                   | 88         | 83       | 78       | 73     | 68     | 63    |
| 60                | 46,000 *   |          |          |        |        |       | 60                | 41,600 *   |          |          |        |        |       |
| 65                | 44,000 *   |          |          |        |        |       | 65                | 40,000 *   |          |          |        |        |       |
| 70                | 41,800 *   |          |          |        |        |       | 70                | 38,100 *   |          |          |        |        |       |
| 75                | 37,200 *   |          |          |        |        |       | 75                | 36,800 *   |          |          |        |        |       |
| 80                | 33,500 *   | 37,600   |          |        |        |       | 80                | 34,600 *   |          |          |        |        |       |
| 85                | 30,200 *   | 35,000   |          |        |        |       | 85                | 30,800 *   |          |          |        |        |       |
| 90                | 27,300 *   | 32,200 * |          |        |        |       | 90                | 27,900 *   | 32,000 * |          |        |        |       |
| 95                | 24,900 *   | 29,700 * |          |        |        |       | 95                | 25,300 *   | 29,500 * |          |        |        |       |
| 100               | 22,700 *   | 27,500 * | 26,000   |        |        |       | 100               | 23,100 *   | 27,300 * |          |        |        |       |
| 105               | 20,700 *   | 25,500 * | 24,900   |        |        |       | 105               | 21,100 *   | 25,300 * |          |        |        |       |
| 110               | 18,900 *   | 23,300 * | 23,300   |        |        |       | 110               | 19,400 *   | 23,100 * | 23,100   |        |        |       |
| 115               | 17,400 *   | 21,300 * | 22,000   |        |        |       | 115               | 17,800 *   | 21,300 * | 21,800   |        |        |       |
| 120               | 15,800 *   | 19,600 * | 20,800   | 18,800 |        |       | 120               | 16,500 *   | 19,600 * | 20,600   |        |        |       |
| 125               | 14,500 *   | 18,000 * | 19,700   | 18,000 |        |       | 125               | 15,200 *   | 18,000 * | 19,400   |        |        |       |
| 130               | 13,200 *   | 16,500 * | 18,600   | 17,000 |        |       | 130               | 13,800 *   | 16,500 * | 18,400   | 16,700 |        |       |
| 135               | 11,900 *   | 15,200 * | 17,600   | 16,200 |        |       | 135               | 12,700 *   | 15,200 * | 17,400   | 15,800 |        |       |
| 140               |            | 14,100 * | 16,700   | 15,300 | 13,600 |       | 140               | 11,600 *   | 14,100 * | 16,500   | 15,100 |        |       |
| 145               |            | 12,700 * | 15,900   | 14,500 | 13,200 |       | 145               |            | 13,000 * | 15,700   | 14,300 |        |       |
| 150               |            |          | 14,900 * | 13,800 | 12,500 |       | 150               |            | 11,900 * | 14,900   | 13,600 | 12,200 |       |
| 155               |            |          | 13,600 * | 13,200 | 11,900 | 9,800 | 155               |            | 11,000 * | 13,900 * | 13,000 | 11,500 |       |
| 160               |            |          | 12,300 * | 12,500 | 11,300 | 9,800 | 160               |            | 9,200 *  | 12,700 * | 12,300 | 11,000 | 8,900 |
| 165               |            |          |          | 12,000 | 10,600 | 9,300 | 165               |            |          | 11,600 * | 11,700 | 10,400 | 8,900 |
| 170               |            |          |          | 11,300 | 10,100 | 8,900 | 170               |            |          |          | 11,200 | 9,900  | 8,500 |
| 175               |            |          |          |        | 9,700  | 8,300 | 175               |            |          |          | 10,600 | 9,300  | 8,100 |
| 180               |            |          |          |        |        | 7,900 | 180               |            |          |          |        | 9,300  | 8,100 |
| 185               |            |          |          |        |        | 7,400 | 185               |            |          |          |        | 8,900  | 7,700 |
| 190               |            |          |          |        |        |       | 190               |            |          |          |        | 8,400  | 7,200 |
| 195               |            |          |          |        |        |       | 195               |            |          |          |        |        | 6,800 |

# CK1600-II Luffing Jib Rated Loads in Pounds

11 Counterweights + 2 Low Weights

| 107' Boom         |            |          |          |        |        |       | 165 ft Jib        |            |          |          |        |       |    |
|-------------------|------------|----------|----------|--------|--------|-------|-------------------|------------|----------|----------|--------|-------|----|
| Load Radius (ft.) | 155 ft Jib |          |          |        |        |       | Load Radius (ft.) | 165 ft Jib |          |          |        |       |    |
|                   | Boom Angle |          |          |        |        |       |                   | Boom Angle |          |          |        |       |    |
|                   | 88         | 83       | 78       | 73     | 68     | 63    |                   | 88         | 83       | 78       | 73     | 68    | 63 |
| 70                | 35,800 *   |          |          |        |        |       | 70                | 32,000 *   |          |          |        |       |    |
| 75                | 34,200 *   |          |          |        |        |       | 75                | 31,000 *   |          |          |        |       |    |
| 80                | 32,800 *   |          |          |        |        |       | 80                | 29,800 *   |          |          |        |       |    |
| 85                | 30,400 *   |          |          |        |        |       | 85                | 28,500 *   |          |          |        |       |    |
| 90                | 27,500 *   | 31,100 * |          |        |        |       | 90                | 27,100 *   |          |          |        |       |    |
| 95                | 25,100 *   | 29,300 * |          |        |        |       | 95                | 24,900 *   | 29,100 * |          |        |       |    |
| 100               | 22,900 *   | 26,800 * |          |        |        |       | 100               | 22,700 *   | 26,600 * |          |        |       |    |
| 105               | 20,900 *   | 24,900 * | 23,500   |        |        |       | 105               | 20,700 *   | 24,600 * |          |        |       |    |
| 110               | 19,100 *   | 22,900 * | 22,800   |        |        |       | 110               | 19,100 *   | 22,900 * |          |        |       |    |
| 115               | 17,600 *   | 20,900 * | 21,300   |        |        |       | 115               | 17,600 *   | 21,100 * | 21,000   |        |       |    |
| 120               | 16,300 *   | 19,400 * | 20,100   |        |        |       | 120               | 16,200 *   | 19,400 * | 19,900   |        |       |    |
| 125               | 14,900 *   | 17,800 * | 19,000   |        |        |       | 125               | 14,700 *   | 17,800 * | 18,800   |        |       |    |
| 130               | 13,800 *   | 16,300 * | 18,000   |        |        |       | 130               | 13,600 *   | 16,500 * | 17,700   |        |       |    |
| 135               | 12,700 *   | 15,200 * | 17,000   | 15,200 |        |       | 135               | 12,500 *   | 15,200 * | 16,800   | 14,500 |       |    |
| 140               | 11,600 *   | 13,800 * | 16,200   | 14,700 |        |       | 140               | 11,600 *   | 13,800 * | 15,900   | 14,400 |       |    |
| 145               | 10,800 *   | 12,700 * | 15,400   | 13,900 |        |       | 145               | 10,500 *   | 12,700 * | 15,100   | 13,600 |       |    |
| 150               | 9,700 *    | 11,900 * | 14,600   | 13,200 |        |       | 150               | 9,200 *    | 11,900 * | 14,300   | 13,000 |       |    |
| 155               | 8,300 *    | 11,000 * | 13,800   | 12,500 | 10,800 |       | 155               |            | 11,000 * | 13,600   | 12,300 |       |    |
| 160               |            | 9,900 *  | 12,700 * | 12,000 | 10,500 |       | 160               |            | 10,100 * | 12,700 * | 11,600 | 9,800 |    |
| 165               |            | 9,000 *  | 11,600 * | 11,300 | 10,000 |       | 165               |            | 9,200 *  | 11,600 * | 11,100 | 9,700 |    |
| 170               |            |          | 10,800 * | 10,800 | 9,400  | 7,800 | 170               |            | 8,300 *  | 10,800 * | 10,500 | 9,100 |    |
| 175               |            |          | 9,900 *  | 10,200 | 8,900  | 7,600 | 175               |            |          | 9,900 *  | 10,000 | 8,500 |    |
| 180               |            |          |          | 9,800  | 8,400  | 7,100 | 180               |            |          | 9,200 *  | 9,400  | 8,100 |    |
| 185               |            |          |          | 9,200  | 8,000  | 6,800 | 185               |            |          | 8,300 *  | 9,000  | 7,700 |    |
| 190               |            |          |          | 8,800  | 7,600  | 6,300 | 190               |            |          |          | 8,500  | 7,200 |    |
| 195               |            |          |          |        | 7,100  | 6,000 | 195               |            |          |          | 8,100  | 6,900 |    |
| 200               |            |          |          |        |        | 5,700 | 200               |            |          |          | 7,700  | 6,500 |    |
| 205               |            |          |          |        |        |       | 205               |            |          |          |        | 6,100 |    |
| 210               |            |          |          |        |        |       | 210               |            |          |          |        | 5,800 |    |

| 107' Boom         |            |          |          |        |       |    | 175 ft Jib        |            |    |    |    |    |    |
|-------------------|------------|----------|----------|--------|-------|----|-------------------|------------|----|----|----|----|----|
| Load Radius (ft.) | 175 ft Jib |          |          |        |       |    | Load Radius (ft.) | 175 ft Jib |    |    |    |    |    |
|                   | Boom Angle |          |          |        |       |    |                   | Boom Angle |    |    |    |    |    |
|                   | 88         | 83       | 78       | 73     | 68    | 63 |                   | 88         | 83 | 78 | 73 | 68 | 63 |
| 70                |            |          |          |        |       |    |                   |            |    |    |    |    |    |
| 75                | 28,800 *   |          |          |        |       |    |                   |            |    |    |    |    |    |
| 80                | 27,500 *   |          |          |        |       |    |                   |            |    |    |    |    |    |
| 85                | 26,700 *   |          |          |        |       |    |                   |            |    |    |    |    |    |
| 90                | 25,500 *   |          |          |        |       |    |                   |            |    |    |    |    |    |
| 95                | 24,100 *   | 28,200   |          |        |       |    |                   |            |    |    |    |    |    |
| 100               | 22,400 *   | 27,100   |          |        |       |    |                   |            |    |    |    |    |    |
| 105               | 20,500 *   | 25,500   |          |        |       |    |                   |            |    |    |    |    |    |
| 110               | 18,900 *   | 24,000 * |          |        |       |    |                   |            |    |    |    |    |    |
| 115               | 17,400 *   | 22,200 * |          |        |       |    |                   |            |    |    |    |    |    |
| 120               | 15,800 *   | 20,500 * | 19,100   |        |       |    |                   |            |    |    |    |    |    |
| 125               | 14,700 *   | 18,700 * | 18,500   |        |       |    |                   |            |    |    |    |    |    |
| 130               | 13,400 *   | 17,100 * | 17,500   |        |       |    |                   |            |    |    |    |    |    |
| 135               | 12,500 *   | 15,800 * | 16,500   |        |       |    |                   |            |    |    |    |    |    |
| 140               | 11,200 *   | 14,700 * | 15,600   | 13,400 |       |    |                   |            |    |    |    |    |    |
| 145               |            | 13,400 * | 14,800   | 13,400 |       |    |                   |            |    |    |    |    |    |
| 150               |            | 12,500 * | 14,100   | 12,600 |       |    |                   |            |    |    |    |    |    |
| 155               |            | 11,400 * | 13,400   | 12,100 |       |    |                   |            |    |    |    |    |    |
| 160               |            | 10,500 * | 12,600   | 11,400 | 9,100 |    |                   |            |    |    |    |    |    |
| 165               |            | 9,000 *  | 11,600 * | 10,800 | 9,000 |    |                   |            |    |    |    |    |    |
| 170               |            |          | 10,800 * | 10,200 | 8,800 |    |                   |            |    |    |    |    |    |
| 175               |            |          | 9,900 *  | 9,700  | 8,300 |    |                   |            |    |    |    |    |    |
| 180               |            |          | 9,000 *  | 9,100  | 7,800 |    |                   |            |    |    |    |    |    |
| 185               |            |          |          | 8,700  | 7,300 |    |                   |            |    |    |    |    |    |
| 190               |            |          |          | 8,200  | 7,000 |    |                   |            |    |    |    |    |    |
| 195               |            |          |          | 7,800  | 6,600 |    |                   |            |    |    |    |    |    |
| 200               |            |          |          | 7,300  | 6,200 |    |                   |            |    |    |    |    |    |
| 205               |            |          |          |        | 5,800 |    |                   |            |    |    |    |    |    |

# CK1600-II Luffing Jib Rated Loads in Pounds

11 Counterweights + 2 Low Weights

| 117' Boom         |            |          |        |        |        |        | 117' Boom         |            |          |        |        |        |        |
|-------------------|------------|----------|--------|--------|--------|--------|-------------------|------------|----------|--------|--------|--------|--------|
| Load Radius (ft.) | 75 ft Jib  |          |        |        |        |        | Load Radius (ft.) | 85 ft Jib  |          |        |        |        |        |
|                   | Boom Angle |          |        |        |        |        |                   | Boom Angle |          |        |        |        |        |
|                   | 88         | 83       | 78     | 73     | 68     | 63     |                   | 88         | 83       | 78     | 73     | 68     | 63     |
| 40                | 78,000 *   |          |        |        |        |        | 40                |            |          |        |        |        |        |
| 45                | 71,000 *   |          |        |        |        |        | 45                |            |          |        |        |        |        |
| 50                | 64,000 *   |          |        |        |        |        | 50                | 64,500 *   |          |        |        |        |        |
| 55                | 58,000 *   |          |        |        |        |        | 55                | 59,000 *   |          |        |        |        |        |
| 60                | 52,600 *   | 56,600   |        |        |        |        | 60                | 53,300 *   | 56,200   |        |        |        |        |
| 65                | 45,800 *   | 51,100   |        |        |        |        | 65                | 46,500 *   | 51,000   |        |        |        |        |
| 70                | 40,100 *   | 46,500   |        |        |        |        | 70                | 41,000 *   | 46,400   |        |        |        |        |
| 75                | 35,200 *   | 42,500   | 40,000 |        |        |        | 75                | 36,300 *   | 42,500   |        |        |        |        |
| 80                |            | 39,200   | 36,800 |        |        |        | 80                | 32,400 *   | 39,100   | 36,400 |        |        |        |
| 85                |            | 36,200   | 34,100 |        |        |        | 85                | 28,800 *   | 36,200   | 33,700 |        |        |        |
| 90                |            | 31,900 * | 31,700 |        |        |        | 90                | 24,900 *   | 33,600   | 31,300 |        |        |        |
| 95                |            |          | 29,500 | 27,600 |        |        | 95                |            | 30,400 * | 29,200 | 26,600 |        |        |
| 100               |            |          | 27,600 | 25,900 |        |        | 100               |            | 27,100 * | 27,300 | 25,400 |        |        |
| 105               |            |          | 25,900 | 24,200 |        |        | 105               |            | 22,400 * | 25,600 | 23,900 |        |        |
| 110               |            |          |        | 22,800 | 21,000 |        | 110               |            |          | 24,100 | 22,400 |        |        |
| 115               |            |          |        |        | 19,800 |        | 115               |            |          |        | 21,100 | 19,200 |        |
| 120               |            |          |        |        | 18,700 | 17,100 | 120               |            |          |        | 19,900 | 18,200 |        |
| 125               |            |          |        |        |        | 16,200 | 125               |            |          |        |        | 17,300 | 15,300 |
| 130               |            |          |        |        |        | 15,300 | 130               |            |          |        |        | 16,400 | 14,900 |
| 135               |            |          |        |        |        |        | 135               |            |          |        |        |        | 14,100 |
| 140               |            |          |        |        |        |        | 140               |            |          |        |        |        | 13,400 |
| 145               |            |          |        |        |        |        | 145               |            |          |        |        |        | 12,600 |
| 150               |            |          |        |        |        |        | 150               |            |          |        |        |        |        |
| 155               |            |          |        |        |        |        | 155               |            |          |        |        |        |        |

| 117' Boom         |            |          |        |        |        |        | 117' Boom         |            |          |        |        |        |        |
|-------------------|------------|----------|--------|--------|--------|--------|-------------------|------------|----------|--------|--------|--------|--------|
| Load Radius (ft.) | 95 ft Jib  |          |        |        |        |        | Load Radius (ft.) | 105 ft Jib |          |        |        |        |        |
|                   | Boom Angle |          |        |        |        |        |                   | Boom Angle |          |        |        |        |        |
|                   | 88         | 83       | 78     | 73     | 68     | 63     |                   | 88         | 83       | 78     | 73     | 68     | 63     |
| 40                |            |          |        |        |        |        | 40                |            |          |        |        |        |        |
| 45                |            |          |        |        |        |        | 45                |            |          |        |        |        |        |
| 50                | 64,000 *   |          |        |        |        |        | 50                |            |          |        |        |        |        |
| 55                | 58,300 *   |          |        |        |        |        | 55                | 58,000 *   |          |        |        |        |        |
| 60                | 53,200 *   |          |        |        |        |        | 60                | 53,500 *   |          |        |        |        |        |
| 65                | 46,900 *   | 50,300   |        |        |        |        | 65                | 47,100 *   |          |        |        |        |        |
| 70                | 41,400 *   | 46,000   |        |        |        |        | 70                | 41,600 *   | 45,400   |        |        |        |        |
| 75                | 36,800 *   | 42,100   |        |        |        |        | 75                | 37,000 *   | 41,800   |        |        |        |        |
| 80                | 32,800 *   | 38,800   |        |        |        |        | 80                | 33,200 *   | 38,500   |        |        |        |        |
| 85                | 29,500 *   | 35,900   | 33,200 |        |        |        | 85                | 29,900 *   | 35,600   | 32,700 |        |        |        |
| 90                | 26,400 *   | 33,200   | 30,900 |        |        |        | 90                | 27,100 *   | 33,000   | 30,600 |        |        |        |
| 95                | 23,800 *   | 31,000   | 28,800 |        |        |        | 95                | 24,400 *   | 30,800   | 28,500 |        |        |        |
| 100               |            | 28,100 * | 27,000 | 24,400 |        |        | 100               | 22,200 *   | 28,600 * | 26,600 |        |        |        |
| 105               |            | 25,300 * | 25,300 | 23,400 |        |        | 105               | 20,000 *   | 25,700 * | 25,000 | 22,700 |        |        |
| 110               |            | 22,700 * | 23,800 | 22,100 |        |        | 110               |            | 23,500 * | 23,500 | 21,800 |        |        |
| 115               |            |          | 22,300 | 20,800 | 18,500 |        | 115               |            | 21,300 * | 22,100 | 20,600 |        |        |
| 120               |            |          | 21,100 | 19,600 | 17,900 |        | 120               |            | 19,100 * | 20,900 | 19,400 |        |        |
| 125               |            |          | 19,900 | 18,600 | 16,900 |        | 125               |            | 15,800 * | 19,800 | 18,400 | 16,000 |        |
| 130               |            |          |        | 17,500 | 16,000 | 13,900 | 130               |            |          | 18,700 | 17,400 | 15,700 |        |
| 135               |            |          |        |        | 15,200 | 13,700 | 135               |            |          | 17,700 | 16,500 | 14,900 |        |
| 140               |            |          |        |        | 14,400 | 13,000 | 140               |            |          |        | 15,600 | 14,200 | 12,600 |
| 145               |            |          |        |        | 13,600 | 12,200 | 145               |            |          |        | 14,800 | 13,400 | 12,000 |
| 150               |            |          |        |        |        | 11,500 | 150               |            |          |        |        | 12,700 | 11,300 |
| 155               |            |          |        |        |        |        | 155               |            |          |        |        |        | 10,600 |
| 160               |            |          |        |        |        |        | 160               |            |          |        |        |        | 10,100 |
| 165               |            |          |        |        |        |        | 165               |            |          |        |        |        | 9,500  |
| 170               |            |          |        |        |        |        | 170               |            |          |        |        |        |        |
| 175               |            |          |        |        |        |        | 175               |            |          |        |        |        |        |

# CK1600-II Luffing Jib Rated Loads in Pounds

11 Counterweights + 2 Low Weights

| 117' Boom         |            | 115 ft Jib |        |        |        |        |                   | 117' Boom  |          | 125 ft Jib |        |        |       |  |  |
|-------------------|------------|------------|--------|--------|--------|--------|-------------------|------------|----------|------------|--------|--------|-------|--|--|
| Load Radius (ft.) | Boom Angle |            |        |        |        |        | Load Radius (ft.) | Boom Angle |          |            |        |        |       |  |  |
|                   | 88         | 83         | 78     | 73     | 68     | 63     |                   | 88         | 83       | 78         | 73     | 68     | 63    |  |  |
| 55                | 53,800 *   |            |        |        |        |        | 55                | 48,300 *   |          |            |        |        |       |  |  |
| 60                | 50,900 *   |            |        |        |        |        | 60                | 46,400 *   |          |            |        |        |       |  |  |
| 65                | 47,100 *   |            |        |        |        |        | 65                | 45,000 *   |          |            |        |        |       |  |  |
| 70                | 41,600 *   |            |        |        |        |        | 70                | 41,000 *   |          |            |        |        |       |  |  |
| 75                | 37,200 *   | 41,500     |        |        |        |        | 75                | 37,400 *   |          |            |        |        |       |  |  |
| 80                | 33,200 *   | 38,200     |        |        |        |        | 80                | 33,700 *   | 37,500   |            |        |        |       |  |  |
| 85                | 30,200 *   | 35,300     |        |        |        |        | 85                | 30,400 *   | 35,000   |            |        |        |       |  |  |
| 90                | 27,300 *   | 32,800     |        |        |        |        | 90                | 27,500 *   | 32,500   |            |        |        |       |  |  |
| 95                | 24,600 *   | 30,600     | 28,300 |        |        |        | 95                | 24,900 *   | 30,300   |            |        |        |       |  |  |
| 100               | 22,400 *   | 28,500 *   | 26,400 |        |        |        | 100               | 22,700 *   | 28,100 * |            |        |        |       |  |  |
| 105               | 20,500 *   | 26,200 *   | 24,800 |        |        |        | 105               | 20,700 *   | 26,000 * | 24,600     |        |        |       |  |  |
| 110               | 18,700 *   | 23,800 *   | 23,200 | 20,900 |        |        | 110               | 18,900 *   | 23,800 * | 23,200     |        |        |       |  |  |
| 115               | 16,900 *   | 21,800 *   | 21,900 | 20,200 |        |        | 115               | 17,400 *   | 21,800 * | 21,800     | 19,200 |        |       |  |  |
| 120               |            | 19,800 *   | 20,700 | 19,100 |        |        | 120               | 15,800 *   | 20,000 * | 20,600     | 18,700 |        |       |  |  |
| 125               |            | 18,000 *   | 19,600 | 18,000 |        |        | 125               | 14,300 *   | 18,200 * | 19,500     | 17,700 |        |       |  |  |
| 130               |            | 16,500 *   | 18,500 | 17,100 |        |        | 130               |            | 16,700 * | 18,500     | 16,700 |        |       |  |  |
| 135               |            |            | 17,600 | 16,300 | 14,700 |        | 135               |            | 15,400 * | 17,500     | 15,800 | 13,600 |       |  |  |
| 140               |            |            | 16,700 | 15,400 | 13,900 |        | 140               |            | 13,800 * | 16,600     | 15,100 | 13,500 |       |  |  |
| 145               |            |            |        | 14,600 | 13,200 | 11,000 | 145               |            |          | 15,700     | 14,300 | 12,800 |       |  |  |
| 150               |            |            |        | 13,900 | 12,500 | 11,000 | 150               |            |          |            | 13,600 | 12,100 |       |  |  |
| 155               |            |            |        |        | 12,000 | 10,400 | 155               |            |          |            | 13,000 | 11,500 | 9,900 |  |  |
| 160               |            |            |        |        | 11,300 | 9,900  | 160               |            |          |            | 12,300 | 10,900 | 9,300 |  |  |
| 165               |            |            |        |        | 10,800 | 9,300  | 165               |            |          |            |        | 10,300 | 8,900 |  |  |
| 170               |            |            |        |        |        | 8,800  | 170               |            |          |            |        |        | 8,300 |  |  |
| 175               |            |            |        |        |        |        | 175               |            |          |            |        |        | 7,900 |  |  |
| 180               |            |            |        |        |        |        | 180               |            |          |            |        |        | 7,400 |  |  |
| 185               |            |            |        |        |        |        | 185               |            |          |            |        |        |       |  |  |

| 117' Boom         |            | 135 ft Jib |          |        |        |       |                   | 117' Boom  |          | 145 ft Jib |        |        |       |  |  |
|-------------------|------------|------------|----------|--------|--------|-------|-------------------|------------|----------|------------|--------|--------|-------|--|--|
| Load Radius (ft.) | Boom Angle |            |          |        |        |       | Load Radius (ft.) | Boom Angle |          |            |        |        |       |  |  |
|                   | 88         | 83         | 78       | 73     | 68     | 63    |                   | 88         | 83       | 78         | 73     | 68     | 63    |  |  |
| 60                | 43,500 *   |            |          |        |        |       | 60                | 39,400 *   |          |            |        |        |       |  |  |
| 65                | 42,000 *   |            |          |        |        |       | 65                | 38,000 *   |          |            |        |        |       |  |  |
| 70                | 40,200 *   |            |          |        |        |       | 70                | 36,300 *   |          |            |        |        |       |  |  |
| 75                | 37,400 *   |            |          |        |        |       | 75                | 35,000 *   |          |            |        |        |       |  |  |
| 80                | 33,500 *   | 37,200     |          |        |        |       | 80                | 33,000 *   |          |            |        |        |       |  |  |
| 85                | 30,400 *   | 34,700     |          |        |        |       | 85                | 30,800 *   | 34,100   |            |        |        |       |  |  |
| 90                | 27,500 *   | 32,100     |          |        |        |       | 90                | 27,900 *   | 31,900   |            |        |        |       |  |  |
| 95                | 24,900 *   | 29,900     |          |        |        |       | 95                | 25,500 *   | 29,700   |            |        |        |       |  |  |
| 100               | 22,700 *   | 27,800 *   | 25,400   |        |        |       | 100               | 23,300 *   | 27,600 * |            |        |        |       |  |  |
| 105               | 20,700 *   | 25,700 *   | 24,400   |        |        |       | 105               | 21,300 *   | 25,500 * | 23,400     |        |        |       |  |  |
| 110               | 18,900 *   | 23,800 *   | 22,900   |        |        |       | 110               | 19,600 *   | 23,500 * | 22,700     |        |        |       |  |  |
| 115               | 17,400 *   | 21,800 *   | 21,600   |        |        |       | 115               | 18,000 *   | 21,800 * | 21,300     |        |        |       |  |  |
| 120               | 15,800 *   | 20,000 *   | 20,300   | 17,800 |        |       | 120               | 16,500 *   | 20,000 * | 20,100     |        |        |       |  |  |
| 125               | 14,500 *   | 18,200 *   | 19,200   | 17,400 |        |       | 125               | 15,200 *   | 18,200 * | 19,000     | 16,500 |        |       |  |  |
| 130               | 13,400 *   | 16,900 *   | 18,100   | 16,500 |        |       | 130               | 13,800 *   | 16,900 * | 17,900     | 16,200 |        |       |  |  |
| 135               | 12,100 *   | 15,600 *   | 17,300   | 15,600 |        |       | 135               | 12,700 *   | 15,600 * | 17,000     | 15,400 |        |       |  |  |
| 140               |            | 14,300 *   | 16,400   | 14,800 | 12,500 |       | 140               | 11,600 *   | 14,300 * | 16,200     | 14,500 |        |       |  |  |
| 145               |            | 13,000 *   | 15,600   | 14,100 | 12,500 |       | 145               | 10,500 *   | 13,200 * | 15,300     | 13,700 | 11,400 |       |  |  |
| 150               |            | 11,900 *   | 14,800   | 13,300 | 11,900 |       | 150               |            | 12,100 * | 14,600     | 13,100 | 11,400 |       |  |  |
| 155               |            |            | 14,100   | 12,600 | 11,200 |       | 155               |            | 11,000 * | 13,800     | 12,400 | 10,900 |       |  |  |
| 160               |            |            | 13,000 * | 12,100 | 10,500 | 8,300 | 160               |            | 9,900 *  | 13,200     | 11,900 | 10,300 |       |  |  |
| 165               |            |            | 11,600 * | 11,500 | 10,000 | 8,300 | 165               |            |          | 12,100 *   | 11,300 | 9,800  | 7,400 |  |  |
| 170               |            |            |          | 11,000 | 9,500  | 8,000 | 170               |            |          | 11,000 *   | 10,800 | 9,200  | 7,400 |  |  |
| 175               |            |            |          |        | 9,000  | 7,600 | 175               |            |          |            | 10,200 | 8,700  | 7,300 |  |  |
| 180               |            |            |          |        | 8,500  | 7,200 | 180               |            |          |            | 9,700  | 8,200  | 6,900 |  |  |
| 185               |            |            |          |        |        | 6,800 | 185               |            |          |            | 9,100  | 7,800  | 6,500 |  |  |
| 190               |            |            |          |        |        |       | 190               |            |          |            |        | 7,300  | 6,100 |  |  |
| 195               |            |            |          |        |        |       | 195               |            |          |            |        |        | 5,800 |  |  |
| 200               |            |            |          |        |        |       | 200               |            |          |            |        |        | 5,400 |  |  |

# CK1600-II Luffing Jib Rated Loads in Pounds

11 Counterweights + 2 Low Weights

| 117' Boom         |            |          |          |        |        |       | 165 ft Jib        |            |          |          |        |       |  |
|-------------------|------------|----------|----------|--------|--------|-------|-------------------|------------|----------|----------|--------|-------|--|
| Load Radius (ft.) | 155 ft Jib |          |          |        |        |       | Load Radius (ft.) | 165 ft Jib |          |          |        |       |  |
|                   | Boom Angle |          |          |        |        |       |                   | Boom Angle |          |          |        |       |  |
|                   | 88         | 83       | 78       | 73     | 68     | 63    | 88                | 83         | 78       | 73       | 68     | 63    |  |
| 65                |            |          |          |        |        |       | 65                |            |          |          |        |       |  |
| 70                | 34,000 *   |          |          |        |        |       | 70                | 30,800 *   |          |          |        |       |  |
| 75                | 32,800 *   |          |          |        |        |       | 75                | 29,500 *   |          |          |        |       |  |
| 80                | 31,500 *   |          |          |        |        |       | 80                | 28,300 *   |          |          |        |       |  |
| 85                | 30,400 *   | 32,800   |          |        |        |       | 85                | 27,500 *   |          |          |        |       |  |
| 90                | 27,700 *   | 30,800   |          |        |        |       | 90                | 26,300 *   |          |          |        |       |  |
| 95                | 25,300 *   | 29,100   |          |        |        |       | 95                | 25,100 *   | 29,000   |          |        |       |  |
| 100               | 23,100 *   | 27,200 * |          |        |        |       | 100               | 22,900 *   | 27,100   |          |        |       |  |
| 105               | 21,100 *   | 25,100 * |          |        |        |       | 105               | 20,900 *   | 24,900 * |          |        |       |  |
| 110               | 19,400 *   | 23,300 * |          |        |        |       | 110               | 19,100 *   | 23,100 * |          |        |       |  |
| 115               | 17,800 *   | 21,300 * | 20,600   |        |        |       | 115               | 17,600 *   | 21,600 * | 19,900   |        |       |  |
| 120               | 16,300 *   | 19,600 * | 19,700   |        |        |       | 120               | 16,300 *   | 19,800 * | 19,500   |        |       |  |
| 125               | 14,900 *   | 18,000 * | 18,600   |        |        |       | 125               | 14,900 *   | 18,000 * | 18,400   |        |       |  |
| 130               | 13,800 *   | 16,700 * | 17,600   |        |        |       | 130               | 13,600 *   | 16,700 * | 17,400   |        |       |  |
| 135               | 12,700 *   | 15,400 * | 16,700   | 14,900 |        |       | 135               | 12,500 *   | 15,400 * | 16,400   |        |       |  |
| 140               | 11,600 *   | 14,100 * | 15,800   | 14,200 |        |       | 140               | 11,600 *   | 14,100 * | 15,500   | 13,400 |       |  |
| 145               | 10,800 *   | 13,000 * | 14,900   | 13,400 |        |       | 145               | 10,800 *   | 13,000 * | 14,700   | 13,200 |       |  |
| 150               | 9,700 *    | 12,100 * | 14,300   | 12,700 | 10,200 |       | 150               | 8,800 *    | 12,100 * | 13,900   | 12,400 |       |  |
| 155               | 8,500 *    | 11,000 * | 13,500   | 12,100 | 10,200 |       | 155               |            | 11,000 * | 13,300   | 11,700 |       |  |
| 160               |            | 10,100 * | 12,800   | 11,400 | 9,800  |       | 160               |            | 10,100 * | 12,600   | 11,100 | 8,800 |  |
| 165               |            | 9,200 *  | 12,200   | 10,900 | 9,200  |       | 165               |            | 9,200 *  | 12,100   | 10,500 | 8,700 |  |
| 170               |            | 8,100 *  | 11,200 * | 10,300 | 8,800  | 6,500 | 170               |            | 8,500 *  | 11,200 * | 10,000 | 8,400 |  |
| 175               |            |          | 10,100 * | 9,800  | 8,200  | 6,500 | 175               |            |          | 10,300 * | 9,400  | 7,900 |  |
| 180               |            |          | 9,200 *  | 9,200  | 7,800  | 6,500 | 180               |            |          | 9,400 *  | 9,000  | 7,400 |  |
| 185               |            |          |          | 8,800  | 7,300  | 6,000 | 185               |            |          | 8,500 *  | 8,400  | 7,000 |  |
| 190               |            |          |          |        | 7,000  | 5,700 | 190               |            |          |          | 8,000  | 6,700 |  |
| 195               |            |          |          |        | 6,600  | 5,200 | 195               |            |          |          | 7,700  | 6,200 |  |
| 200               |            |          |          |        | 6,200  | 4,900 | 200               |            |          |          | 7,200  | 5,900 |  |
| 205               |            |          |          |        |        | 4,700 | 205               |            |          |          |        | 5,600 |  |
| 210               |            |          |          |        |        |       | 210               |            |          |          |        | 5,200 |  |

| 117' Boom         |            |          |          |        |       |    | 175 ft Jib        |            |  |  |  |  |  |
|-------------------|------------|----------|----------|--------|-------|----|-------------------|------------|--|--|--|--|--|
| Load Radius (ft.) | 175 ft Jib |          |          |        |       |    | Load Radius (ft.) | 175 ft Jib |  |  |  |  |  |
|                   | Boom Angle |          |          |        |       |    |                   | Boom Angle |  |  |  |  |  |
|                   | 88         | 83       | 78       | 73     | 68    | 63 |                   |            |  |  |  |  |  |
| 65                |            |          |          |        |       |    |                   |            |  |  |  |  |  |
| 70                |            |          |          |        |       |    |                   |            |  |  |  |  |  |
| 75                | 27,600 *   |          |          |        |       |    |                   |            |  |  |  |  |  |
| 80                | 26,500 *   |          |          |        |       |    |                   |            |  |  |  |  |  |
| 85                | 25,300 *   |          |          |        |       |    |                   |            |  |  |  |  |  |
| 90                | 24,200 *   |          |          |        |       |    |                   |            |  |  |  |  |  |
| 95                | 23,600 *   | 27,300   |          |        |       |    |                   |            |  |  |  |  |  |
| 100               | 22,700 *   | 26,100   |          |        |       |    |                   |            |  |  |  |  |  |
| 105               | 20,700 *   | 25,400   |          |        |       |    |                   |            |  |  |  |  |  |
| 110               | 18,900 *   | 23,900   |          |        |       |    |                   |            |  |  |  |  |  |
| 115               | 17,400 *   | 22,400   |          |        |       |    |                   |            |  |  |  |  |  |
| 120               | 16,000 *   | 20,900 * | 18,500   |        |       |    |                   |            |  |  |  |  |  |
| 125               | 14,700 *   | 19,100 * | 18,000   |        |       |    |                   |            |  |  |  |  |  |
| 130               | 13,600 *   | 17,600 * | 17,000   |        |       |    |                   |            |  |  |  |  |  |
| 135               | 12,500 *   | 16,300 * | 16,200   |        |       |    |                   |            |  |  |  |  |  |
| 140               | 11,000 *   | 14,900 * | 15,300   |        |       |    |                   |            |  |  |  |  |  |
| 145               |            | 13,800 * | 14,500   |        |       |    |                   |            |  |  |  |  |  |
| 150               |            | 12,700 * | 13,700   | 12,100 |       |    |                   |            |  |  |  |  |  |
| 155               |            | 11,600 * | 13,100   | 11,400 |       |    |                   |            |  |  |  |  |  |
| 160               |            | 10,800 * | 12,400   | 10,900 |       |    |                   |            |  |  |  |  |  |
| 165               |            |          | 11,700   | 10,200 | 7,800 |    |                   |            |  |  |  |  |  |
| 170               |            |          | 11,100 * | 9,700  | 7,800 |    |                   |            |  |  |  |  |  |
| 175               |            |          | 10,100 * | 9,100  | 7,700 |    |                   |            |  |  |  |  |  |
| 180               |            |          | 9,400 *  | 8,700  | 7,100 |    |                   |            |  |  |  |  |  |
| 185               |            |          |          | 8,200  | 6,800 |    |                   |            |  |  |  |  |  |
| 190               |            |          |          | 7,800  | 6,300 |    |                   |            |  |  |  |  |  |
| 195               |            |          |          | 7,300  | 6,000 |    |                   |            |  |  |  |  |  |
| 200               |            |          |          | 6,900  | 5,600 |    |                   |            |  |  |  |  |  |
| 205               |            |          |          | 6,600  | 5,200 |    |                   |            |  |  |  |  |  |
| 210               |            |          |          |        | 4,900 |    |                   |            |  |  |  |  |  |

# CK1600-II Luffing Jib Rated Loads in Pounds

11 Counterweights + 2 Low Weights

| 127' Boom         |            |          |        |        |        |        | 127' Boom         |            |          |        |        |        |        |
|-------------------|------------|----------|--------|--------|--------|--------|-------------------|------------|----------|--------|--------|--------|--------|
| Load Radius (ft.) | 75 ft Jib  |          |        |        |        |        | Load Radius (ft.) | 85 ft Jib  |          |        |        |        |        |
|                   | Boom Angle |          |        |        |        |        |                   | Boom Angle |          |        |        |        |        |
|                   | 88         | 83       | 78     | 73     | 68     | 63     |                   | 88         | 83       | 78     | 73     | 68     | 63     |
| 40                | 78,000 *   |          |        |        |        |        | 40                |            |          |        |        |        |        |
| 45                | 71,000 *   |          |        |        |        |        | 45                |            |          |        |        |        |        |
| 50                | 64,000 *   |          |        |        |        |        | 50                | 64,000 *   |          |        |        |        |        |
| 55                | 59,000 *   |          |        |        |        |        | 55                | 58,000 *   |          |        |        |        |        |
| 60                | 53,100 *   | 56,100   |        |        |        |        | 60                | 53,700 *   | 55,600   |        |        |        |        |
| 65                | 46,000 *   | 50,900   |        |        |        |        | 65                | 46,900 *   | 50,400   |        |        |        |        |
| 70                | 40,300 *   | 46,200   |        |        |        |        | 70                | 41,200 *   | 45,900   |        |        |        |        |
| 75                | 35,400 *   | 42,400   | 38,900 |        |        |        | 75                | 36,500 *   | 42,100   |        |        |        |        |
| 80                |            | 39,000   | 36,100 |        |        |        | 80                | 32,600 *   | 38,600   | 35,300 |        |        |        |
| 85                |            | 36,100   | 33,300 |        |        |        | 85                | 29,100 *   | 35,800   | 32,900 |        |        |        |
| 90                |            | 33,600   | 31,000 | 28,100 |        |        | 90                |            | 33,200   | 30,600 |        |        |        |
| 95                |            | 29,100 * | 28,900 | 26,700 |        |        | 95                |            | 31,000   | 28,500 | 25,700 |        |        |
| 100               |            |          | 27,100 | 25,000 |        |        | 100               |            | 27,900 * | 26,700 | 24,500 |        |        |
| 105               |            |          | 25,300 | 23,400 | 20,800 |        | 105               |            | 24,000 * | 25,100 | 23,100 |        |        |
| 110               |            |          |        | 22,000 | 20,000 |        | 110               |            |          | 23,500 | 21,700 |        |        |
| 115               |            |          |        | 20,700 | 18,800 |        | 115               |            |          | 22,100 | 20,500 | 17,900 |        |
| 120               |            |          |        | 19,500 | 17,800 |        | 120               |            |          |        | 19,200 | 17,400 |        |
| 125               |            |          |        |        | 16,800 | 14,500 | 125               |            |          |        | 18,100 | 16,400 |        |
| 130               |            |          |        |        | 15,800 | 14,300 | 130               |            |          |        | 17,100 | 15,500 | 13,100 |
| 135               |            |          |        |        |        | 13,500 | 135               |            |          |        |        | 14,700 | 13,000 |
| 140               |            |          |        |        |        | 12,600 | 140               |            |          |        |        | 13,900 | 12,300 |
| 145               |            |          |        |        |        |        | 145               |            |          |        |        |        | 11,600 |
| 150               |            |          |        |        |        |        | 150               |            |          |        |        |        | 10,900 |
| 155               |            |          |        |        |        |        | 155               |            |          |        |        |        |        |

| 127' Boom         |            |          |        |        |        |        | 127' Boom         |            |          |        |        |        |        |
|-------------------|------------|----------|--------|--------|--------|--------|-------------------|------------|----------|--------|--------|--------|--------|
| Load Radius (ft.) | 95 ft Jib  |          |        |        |        |        | Load Radius (ft.) | 105 ft Jib |          |        |        |        |        |
|                   | Boom Angle |          |        |        |        |        |                   | Boom Angle |          |        |        |        |        |
|                   | 88         | 83       | 78     | 73     | 68     | 63     |                   | 88         | 83       | 78     | 73     | 68     | 63     |
| 40                |            |          |        |        |        |        | 40                |            |          |        |        |        |        |
| 45                |            |          |        |        |        |        | 45                |            |          |        |        |        |        |
| 50                | 61,600 *   |          |        |        |        |        | 50                |            |          |        |        |        |        |
| 55                | 58,000 *   |          |        |        |        |        | 55                | 55,200 *   |          |        |        |        |        |
| 60                | 54,000 *   |          |        |        |        |        | 60                | 52,000 *   |          |        |        |        |        |
| 65                | 47,100 *   | 49,800   |        |        |        |        | 65                | 47,300 *   |          |        |        |        |        |
| 70                | 41,600 *   | 45,500   |        |        |        |        | 70                | 41,800 *   |          |        |        |        |        |
| 75                | 37,000 *   | 41,600   |        |        |        |        | 75                | 37,200 *   | 41,400   |        |        |        |        |
| 80                | 33,000 *   | 38,300   |        |        |        |        | 80                | 33,500 *   | 38,100   |        |        |        |        |
| 85                | 29,700 *   | 35,400   | 32,200 |        |        |        | 85                | 29,900 *   | 35,200   |        |        |        |        |
| 90                | 26,600 *   | 32,900   | 30,200 |        |        |        | 90                | 27,100 *   | 32,700   |        |        |        |        |
| 95                | 24,000 *   | 30,700   | 28,200 |        |        |        | 95                | 24,600 *   | 30,500   | 28,200 |        |        |        |
| 100               |            | 28,700   | 26,300 |        |        |        | 100               | 22,200 *   | 28,500   | 26,300 |        |        |        |
| 105               |            | 25,900 * | 24,600 |        |        |        | 105               | 20,200 *   | 26,500 * | 24,800 | 21,800 |        |        |
| 110               |            | 23,300 * | 23,200 | 21,200 |        |        | 110               |            | 24,000 * | 23,200 | 21,000 |        |        |
| 115               |            | 20,000 * | 21,900 | 20,000 |        |        | 115               |            | 21,800 * | 21,900 | 19,800 |        |        |
| 120               |            |          | 20,600 | 18,900 | 16,500 |        | 120               |            | 19,600 * | 20,700 | 18,700 |        |        |
| 125               |            |          | 19,500 | 17,800 | 16,000 |        | 125               |            |          | 19,600 | 17,600 | 15,200 |        |
| 130               |            |          |        | 16,900 | 15,200 |        | 130               |            |          | 18,500 | 16,700 | 14,900 |        |
| 135               |            |          |        | 16,000 | 14,400 |        | 135               |            |          | 17,500 | 15,800 | 14,100 |        |
| 140               |            |          |        |        | 13,600 | 11,500 | 140               |            |          |        | 14,900 | 13,400 |        |
| 145               |            |          |        |        | 12,800 | 11,100 | 145               |            |          |        | 14,200 | 12,600 |        |
| 150               |            |          |        |        | 12,200 | 10,500 | 150               |            |          |        |        | 12,000 | 10,200 |
| 155               |            |          |        |        |        | 9,900  | 155               |            |          |        |        | 11,300 | 9,700  |
| 160               |            |          |        |        |        |        | 160               |            |          |        |        | 10,600 | 9,100  |
| 165               |            |          |        |        |        |        | 165               |            |          |        |        |        | 8,500  |
| 170               |            |          |        |        |        |        | 170               |            |          |        |        |        |        |
| 175               |            |          |        |        |        |        | 175               |            |          |        |        |        |        |

# CK1600-II Luffing Jib Rated Loads in Pounds

11 Counterweights + 2 Low Weights

| 127' Boom         |            |          |        |        |        |       | 125 ft Jib        |            |          |          |        |        |       |
|-------------------|------------|----------|--------|--------|--------|-------|-------------------|------------|----------|----------|--------|--------|-------|
| Load Radius (ft.) | 115 ft Jib |          |        |        |        |       | Load Radius (ft.) | 125 ft Jib |          |          |        |        |       |
|                   | Boom Angle |          |        |        |        |       |                   | Boom Angle |          |          |        |        |       |
|                   | 88         | 83       | 78     | 73     | 68     | 63    |                   | 88         | 83       | 78       | 73     | 68     | 63    |
| 55                | 50,000 *   |          |        |        |        |       | 55                | 46,000 *   |          |          |        |        |       |
| 60                | 48,000 *   |          |        |        |        |       | 60                | 44,000 *   |          |          |        |        |       |
| 65                | 46,700 *   |          |        |        |        |       | 65                | 42,000 *   |          |          |        |        |       |
| 70                | 42,100 *   |          |        |        |        |       | 70                | 40,500 *   |          |          |        |        |       |
| 75                | 37,400 *   | 40,700   |        |        |        |       | 75                | 37,900 *   |          |          |        |        |       |
| 80                | 33,500 *   | 37,800   |        |        |        |       | 80                | 33,900 *   | 37,400   |          |        |        |       |
| 85                | 30,200 *   | 34,900   |        |        |        |       | 85                | 30,600 *   | 34,600   |          |        |        |       |
| 90                | 27,300 *   | 32,500   |        |        |        |       | 90                | 27,500 *   | 32,000   |          |        |        |       |
| 95                | 24,900 *   | 30,300   | 27,300 |        |        |       | 95                | 25,100 *   | 29,800   |          |        |        |       |
| 100               | 22,700 *   | 28,300   | 26,100 |        |        |       | 100               | 22,900 *   | 27,900   | 25,300   |        |        |       |
| 105               | 20,700 *   | 26,500   | 24,400 |        |        |       | 105               | 20,900 *   | 26,100 * | 24,100   |        |        |       |
| 110               | 18,700 *   | 24,300 * | 23,000 |        |        |       | 110               | 18,900 *   | 24,300 * | 22,700   |        |        |       |
| 115               | 17,100 *   | 22,200 * | 21,700 | 19,500 |        |       | 115               | 17,400 *   | 22,200 * | 21,300   |        |        |       |
| 120               |            | 20,200 * | 20,500 | 18,400 |        |       | 120               | 15,800 *   | 20,200 * | 20,100   | 17,400 |        |       |
| 125               |            | 18,500 * | 19,400 | 17,400 |        |       | 125               | 14,300 *   | 18,700 * | 19,000   | 17,000 |        |       |
| 130               |            | 16,700 * | 18,400 | 16,500 |        |       | 130               |            | 17,100 * | 17,900   | 16,000 |        |       |
| 135               |            |          | 17,400 | 15,600 | 13,800 |       | 135               |            | 15,600 * | 17,000   | 15,200 |        |       |
| 140               |            |          | 16,500 | 14,800 | 13,100 |       | 140               |            | 14,300 * | 16,200   | 14,400 | 12,200 |       |
| 145               |            |          |        | 14,100 | 12,400 |       | 145               |            |          | 15,400   | 13,700 | 11,900 |       |
| 150               |            |          |        | 13,300 | 11,700 |       | 150               |            |          | 14,600   | 13,000 | 11,200 |       |
| 155               |            |          |        | 12,600 | 11,100 | 9,200 | 155               |            |          | 13,800 * | 12,400 | 10,600 |       |
| 160               |            |          |        |        | 10,500 | 8,800 | 160               |            |          |          | 11,700 | 10,000 | 8,100 |
| 165               |            |          |        |        |        | 8,300 | 165               |            |          |          |        | 9,500  | 7,900 |
| 170               |            |          |        |        |        | 7,900 | 170               |            |          |          |        | 9,000  | 7,400 |
| 175               |            |          |        |        |        | 7,400 | 175               |            |          |          |        | 8,400  | 7,000 |
| 180               |            |          |        |        |        |       | 180               |            |          |          |        |        | 6,600 |
| 185               |            |          |        |        |        |       | 185               |            |          |          |        |        |       |

| 127' Boom         |            |          |          |        |        |       | 145 ft Jib        |            |          |          |        |       |       |
|-------------------|------------|----------|----------|--------|--------|-------|-------------------|------------|----------|----------|--------|-------|-------|
| Load Radius (ft.) | 135 ft Jib |          |          |        |        |       | Load Radius (ft.) | 145 ft Jib |          |          |        |       |       |
|                   | Boom Angle |          |          |        |        |       |                   | Boom Angle |          |          |        |       |       |
|                   | 88         | 83       | 78       | 73     | 68     | 63    |                   | 88         | 83       | 78       | 73     | 68    | 63    |
| 60                | 41,000 *   |          |          |        |        |       | 60                | 37,500 *   |          |          |        |       |       |
| 65                | 39,500 *   |          |          |        |        |       | 65                | 36,000 *   |          |          |        |       |       |
| 70                | 38,000 *   |          |          |        |        |       | 70                | 34,700 *   |          |          |        |       |       |
| 75                | 36,700 *   |          |          |        |        |       | 75                | 33,000 *   |          |          |        |       |       |
| 80                | 35,000 *   | 36,800   |          |        |        |       | 80                | 32,000 *   |          |          |        |       |       |
| 85                | 31,300 *   | 34,200   |          |        |        |       | 85                | 30,700 *   | 33,500   |          |        |       |       |
| 90                | 28,200 *   | 31,800   |          |        |        |       | 90                | 28,200 *   | 31,500   |          |        |       |       |
| 95                | 25,700 *   | 29,600   |          |        |        |       | 95                | 25,500 *   | 29,400   |          |        |       |       |
| 100               | 23,300 *   | 27,600   |          |        |        |       | 100               | 23,300 *   | 27,400   |          |        |       |       |
| 105               | 21,300 *   | 25,900   |          |        |        |       | 105               | 21,300 *   | 25,600   | 22,800   |        |       |       |
| 110               | 19,600 *   | 24,100 * | 22,300   |        |        |       | 110               | 19,600 *   | 23,900 * | 22,100   |        |       |       |
| 115               | 18,000 *   | 22,200 * | 21,000   |        |        |       | 115               | 18,000 *   | 22,100 * | 20,800   |        |       |       |
| 120               | 16,500 *   | 20,500 * | 19,800   |        |        |       | 120               | 16,500 *   | 20,200 * | 19,600   |        |       |       |
| 125               | 15,200 *   | 18,700 * | 18,700   | 16,000 |        |       | 125               | 15,200 *   | 18,700 * | 18,500   |        |       |       |
| 130               | 13,800 *   | 17,100 * | 17,700   | 15,800 |        |       | 130               | 14,100 *   | 17,100 * | 17,500   |        |       |       |
| 135               | 12,500 *   | 15,800 * | 16,800   | 14,900 |        |       | 135               | 12,700 *   | 15,800 * | 16,600   | 14,600 |       |       |
| 140               |            | 14,500 * | 15,900   | 14,200 |        |       | 140               | 11,600 *   | 14,500 * | 15,700   | 13,800 |       |       |
| 145               |            | 13,200 * | 15,200   | 13,400 | 10,800 |       | 145               | 10,800 *   | 13,400 * | 14,900   | 13,200 |       |       |
| 150               |            |          | 14,400   | 12,700 | 10,800 |       | 150               |            | 12,300 * | 14,200   | 12,500 | 9,800 |       |
| 155               |            |          | 13,700   | 12,100 | 10,300 |       | 155               |            | 11,200 * | 13,500   | 11,900 | 9,800 |       |
| 160               |            |          | 13,100   | 11,500 | 9,800  |       | 160               |            | 10,300 * | 12,800   | 11,200 | 9,400 |       |
| 165               |            |          | 12,200 * | 10,900 | 9,200  | 7,000 | 165               |            |          | 12,200   | 10,600 | 8,900 |       |
| 170               |            |          |          | 10,300 | 8,700  | 6,800 | 170               |            |          | 11,500 * | 10,100 | 8,400 |       |
| 175               |            |          |          | 9,800  | 8,200  | 6,700 | 175               |            |          | 10,300 * | 9,500  | 7,900 | 6,000 |
| 180               |            |          |          |        | 7,800  | 6,200 | 180               |            |          |          | 9,100  | 7,400 | 5,900 |
| 185               |            |          |          |        | 7,300  | 5,900 | 185               |            |          |          |        | 7,100 | 5,600 |
| 190               |            |          |          |        |        | 5,600 | 190               |            |          |          |        | 6,700 | 5,200 |
| 195               |            |          |          |        |        | 5,100 | 195               |            |          |          |        | 6,200 | 4,900 |
| 200               |            |          |          |        |        |       | 200               |            |          |          |        |       | 4,600 |

# CK1600-II Luffing Jib Rated Loads in Pounds

11 Counterweights + 2 Low Weights

| 127' Boom         |            |          |          |        |       |    | 165 ft Jib        |            |          |         |        |       |  |
|-------------------|------------|----------|----------|--------|-------|----|-------------------|------------|----------|---------|--------|-------|--|
| Load Radius (ft.) | 155 ft Jib |          |          |        |       |    | Load Radius (ft.) | 165 ft Jib |          |         |        |       |  |
|                   | Boom Angle |          |          |        |       |    |                   | Boom Angle |          |         |        |       |  |
|                   | 88         | 83       | 78       | 73     | 68    | 63 | 88                | 83         | 78       | 73      | 68     | 63    |  |
| 65                |            |          |          |        |       |    | 65                |            |          |         |        |       |  |
| 70                | 32,500 *   |          |          |        |       |    | 70                | 29,700 *   |          |         |        |       |  |
| 75                | 31,000 *   |          |          |        |       |    | 75                | 28,500 *   |          |         |        |       |  |
| 80                | 30,000 *   |          |          |        |       |    | 80                | 27,200 *   |          |         |        |       |  |
| 85                | 28,800 *   |          |          |        |       |    | 85                | 26,200 *   |          |         |        |       |  |
| 90                | 27,200 *   | 30,800   |          |        |       |    | 90                | 25,200 *   |          |         |        |       |  |
| 95                | 25,300 *   | 28,900   |          |        |       |    | 95                | 24,300 *   | 28,600   |         |        |       |  |
| 100               | 23,100 *   | 27,000   |          |        |       |    | 100               | 22,900 *   | 26,700   |         |        |       |  |
| 105               | 21,100 *   | 25,200 * |          |        |       |    | 105               | 20,900 *   | 25,000   |         |        |       |  |
| 110               | 19,400 *   | 23,300 * |          |        |       |    | 110               | 19,100 *   | 23,200 * |         |        |       |  |
| 115               | 17,800 *   | 21,800 * | 20,100   |        |       |    | 115               | 17,600 *   | 21,600 * |         |        |       |  |
| 120               | 16,300 *   | 20,000 * | 19,100   |        |       |    | 120               | 16,300 *   | 20,000 * | 18,500  |        |       |  |
| 125               | 14,900 *   | 18,500 * | 18,100   |        |       |    | 125               | 14,900 *   | 18,500 * | 17,800  |        |       |  |
| 130               | 13,800 *   | 16,900 * | 17,100   |        |       |    | 130               | 13,800 *   | 16,900 * | 16,800  |        |       |  |
| 135               | 12,700 *   | 15,600 * | 16,200   | 13,500 |       |    | 135               | 12,700 *   | 15,600 * | 15,900  |        |       |  |
| 140               | 11,600 *   | 14,500 * | 15,400   | 13,500 |       |    | 140               | 11,600 *   | 14,500 * | 15,100  | 12,300 |       |  |
| 145               | 10,800 *   | 13,200 * | 14,500   | 12,700 |       |    | 145               | 10,800 *   | 13,200 * | 14,300  | 12,300 |       |  |
| 150               | 9,900 *    | 12,300 * | 13,800   | 12,100 |       |    | 150               | 8,500 *    | 12,300 * | 13,600  | 11,700 |       |  |
| 155               | 8,800 *    | 11,200 * | 13,200   | 11,400 |       |    | 155               |            | 11,200 * | 12,800  | 11,100 |       |  |
| 160               |            | 10,300 * | 12,500   | 10,800 | 8,400 |    | 160               |            | 10,300 * | 12,300  | 10,400 |       |  |
| 165               |            | 9,400 *  | 11,900   | 10,200 | 8,300 |    | 165               |            |          | 11,600  | 9,900  |       |  |
| 170               |            |          | 11,300   | 9,700  | 7,900 |    | 170               |            |          | 11,100  | 9,300  |       |  |
| 175               |            |          | 10,600 * | 9,100  | 7,400 |    | 175               |            |          | 10,500  | 8,900  | 7,100 |  |
| 180               |            |          | 9,700 *  | 8,700  | 7,000 |    | 180               |            |          | 9,700 * | 8,300  | 6,700 |  |
| 185               |            |          |          | 8,200  | 6,700 |    | 185               |            |          | 9,000 * | 7,900  | 6,300 |  |
| 190               |            |          |          | 7,800  | 6,200 |    | 190               |            |          |         | 7,400  | 5,900 |  |
| 195               |            |          |          | 7,300  | 5,900 |    | 195               |            |          |         | 7,000  | 5,600 |  |
| 200               |            |          |          |        | 5,500 |    | 200               |            |          |         | 6,700  | 5,200 |  |
| 205               |            |          |          |        |       |    | 205               |            |          |         |        | 4,900 |  |
| 210               |            |          |          |        |       |    | 210               |            |          |         |        |       |  |

| 127' Boom         |            |          |         |        |    |    | 175 ft Jib        |            |  |  |  |  |  |
|-------------------|------------|----------|---------|--------|----|----|-------------------|------------|--|--|--|--|--|
| Load Radius (ft.) | 175 ft Jib |          |         |        |    |    | Load Radius (ft.) | 175 ft Jib |  |  |  |  |  |
|                   | Boom Angle |          |         |        |    |    |                   | Boom Angle |  |  |  |  |  |
|                   | 88         | 83       | 78      | 73     | 68 | 63 |                   |            |  |  |  |  |  |
| 65                |            |          |         |        |    |    |                   |            |  |  |  |  |  |
| 70                |            |          |         |        |    |    |                   |            |  |  |  |  |  |
| 75                | 26,500 *   |          |         |        |    |    |                   |            |  |  |  |  |  |
| 80                | 25,300 *   |          |         |        |    |    |                   |            |  |  |  |  |  |
| 85                | 24,500 *   |          |         |        |    |    |                   |            |  |  |  |  |  |
| 90                | 23,500 *   |          |         |        |    |    |                   |            |  |  |  |  |  |
| 95                | 22,500 *   |          |         |        |    |    |                   |            |  |  |  |  |  |
| 100               | 21,800 *   | 26,000   |         |        |    |    |                   |            |  |  |  |  |  |
| 105               | 20,700 *   | 24,800   |         |        |    |    |                   |            |  |  |  |  |  |
| 110               | 18,900 *   | 23,500   |         |        |    |    |                   |            |  |  |  |  |  |
| 115               | 17,400 *   | 22,100   |         |        |    |    |                   |            |  |  |  |  |  |
| 120               | 16,000 *   | 20,900   | 17,800  |        |    |    |                   |            |  |  |  |  |  |
| 125               | 14,700 *   | 19,500 * | 17,600  |        |    |    |                   |            |  |  |  |  |  |
| 130               | 13,600 *   | 17,800 * | 16,600  |        |    |    |                   |            |  |  |  |  |  |
| 135               | 12,500 *   | 16,500 * | 15,600  |        |    |    |                   |            |  |  |  |  |  |
| 140               | 10,800 *   | 15,200 * | 14,800  |        |    |    |                   |            |  |  |  |  |  |
| 145               |            | 14,100 * | 14,100  | 11,200 |    |    |                   |            |  |  |  |  |  |
| 150               |            | 13,000 * | 13,300  | 11,200 |    |    |                   |            |  |  |  |  |  |
| 155               |            | 11,900 * | 12,600  | 10,800 |    |    |                   |            |  |  |  |  |  |
| 160               |            | 11,000 * | 12,000  | 10,100 |    |    |                   |            |  |  |  |  |  |
| 165               |            |          | 11,400  | 9,500  |    |    |                   |            |  |  |  |  |  |
| 170               |            |          | 10,900  | 9,000  |    |    |                   |            |  |  |  |  |  |
| 175               |            |          | 10,300  | 8,500  |    |    |                   |            |  |  |  |  |  |
| 180               |            |          | 9,800   | 8,000  |    |    |                   |            |  |  |  |  |  |
| 185               |            |          | 9,000 * | 7,600  |    |    |                   |            |  |  |  |  |  |
| 190               |            |          |         | 7,200  |    |    |                   |            |  |  |  |  |  |
| 195               |            |          |         | 6,800  |    |    |                   |            |  |  |  |  |  |
| 200               |            |          |         | 6,300  |    |    |                   |            |  |  |  |  |  |
| 205               |            |          |         | 6,000  |    |    |                   |            |  |  |  |  |  |
| 210               |            |          |         |        |    |    |                   |            |  |  |  |  |  |

# CK1600-II Luffing Jib Rated Loads in Pounds

11 Counterweights + 2 Low Weights

| 137' Boom         |            | 75 ft Jib |        |        |        |        | 85 ft Jib         |            |          |        |        |        |        |
|-------------------|------------|-----------|--------|--------|--------|--------|-------------------|------------|----------|--------|--------|--------|--------|
| Load Radius (ft.) | Boom Angle |           |        |        |        |        | Load Radius (ft.) | Boom Angle |          |        |        |        |        |
|                   | 88         | 83        | 78     | 73     | 68     | 63     |                   | 88         | 83       | 78     | 73     | 68     | 63     |
| 40                | 72,000 *   |           |        |        |        |        | 40                |            |          |        |        |        |        |
| 45                | 69,100 *   |           |        |        |        |        | 45                |            |          |        |        |        |        |
| 50                | 63,600 *   |           |        |        |        |        | 50                | 62,000 *   |          |        |        |        |        |
| 55                | 58,000 *   |           |        |        |        |        | 55                | 58,200 *   |          |        |        |        |        |
| 60                | 53,000 *   | 55,500    |        |        |        |        | 60                | 53,000 *   |          |        |        |        |        |
| 65                | 46,500 *   | 50,400    |        |        |        |        | 65                | 47,300 *   |          |        |        |        |        |
| 70                | 40,700 *   | 45,800    |        |        |        |        | 70                | 41,600 *   | 45,500   |        |        |        |        |
| 75                | 35,700 *   | 41,900    |        |        |        |        | 75                | 36,800 *   | 41,600   |        |        |        |        |
| 80                | 31,500 *   | 38,600    | 35,300 |        |        |        | 80                | 32,600 *   | 38,300   | 34,700 |        |        |        |
| 85                |            | 35,800    | 32,800 |        |        |        | 85                | 29,100 *   | 35,400   | 32,400 |        |        |        |
| 90                |            | 33,200    | 30,400 |        |        |        | 90                |            | 32,900   | 30,000 |        |        |        |
| 95                |            | 30,600    | 28,400 | 25,400 |        |        | 95                |            | 30,700   | 27,900 |        |        |        |
| 100               |            |           | 26,500 | 24,200 |        |        | 100               |            | 28,700   | 26,200 | 23,200 |        |        |
| 105               |            |           | 24,900 | 22,800 |        |        | 105               |            | 25,500 * | 24,500 | 22,300 |        |        |
| 110               |            |           | 23,300 | 21,300 |        |        | 110               |            |          | 23,100 | 21,000 |        |        |
| 115               |            |           |        | 20,100 | 18,000 |        | 115               |            |          | 21,700 | 19,800 |        |        |
| 120               |            |           |        | 18,900 | 17,000 |        | 120               |            |          |        | 18,700 | 16,600 |        |
| 125               |            |           |        |        | 16,000 | 13,500 | 125               |            |          |        | 17,600 | 15,700 |        |
| 130               |            |           |        |        | 15,200 | 13,300 | 130               |            |          |        | 16,600 | 14,800 |        |
| 135               |            |           |        |        |        | 12,500 | 135               |            |          |        |        | 14,100 | 11,400 |
| 140               |            |           |        |        |        | 11,700 | 140               |            |          |        |        | 13,300 | 11,300 |
| 145               |            |           |        |        |        | 11,100 | 145               |            |          |        |        |        | 10,600 |
| 150               |            |           |        |        |        |        | 150               |            |          |        |        |        | 10,100 |
| 155               |            |           |        |        |        |        | 155               |            |          |        |        |        |        |

| 137' Boom         |            | 95 ft Jib |        |        |        |        | 105 ft Jib        |            |          |        |        |        |       |
|-------------------|------------|-----------|--------|--------|--------|--------|-------------------|------------|----------|--------|--------|--------|-------|
| Load Radius (ft.) | Boom Angle |           |        |        |        |        | Load Radius (ft.) | Boom Angle |          |        |        |        |       |
|                   | 88         | 83        | 78     | 73     | 68     | 63     |                   | 88         | 83       | 78     | 73     | 68     | 63    |
| 40                |            |           |        |        |        |        | 40                |            |          |        |        |        |       |
| 45                |            |           |        |        |        |        | 45                |            |          |        |        |        |       |
| 50                | 56,800 *   |           |        |        |        |        | 50                |            |          |        |        |        |       |
| 55                | 54,400 *   |           |        |        |        |        | 55                | 51,000 *   |          |        |        |        |       |
| 60                | 52,500 *   |           |        |        |        |        | 60                | 49,000 *   |          |        |        |        |       |
| 65                | 47,600 *   |           |        |        |        |        | 65                | 47,200 *   |          |        |        |        |       |
| 70                | 41,800 *   | 45,000    |        |        |        |        | 70                | 42,100 *   |          |        |        |        |       |
| 75                | 37,200 *   | 41,200    |        |        |        |        | 75                | 37,400 *   | 41,000   |        |        |        |       |
| 80                | 33,200 *   | 38,000    |        |        |        |        | 80                | 33,500 *   | 37,600   |        |        |        |       |
| 85                | 29,700 *   | 35,100    | 31,600 |        |        |        | 85                | 30,200 *   | 34,800   |        |        |        |       |
| 90                | 26,800 *   | 32,600    | 29,600 |        |        |        | 90                | 27,300 *   | 32,400   |        |        |        |       |
| 95                | 24,000 *   | 30,400    | 27,600 |        |        |        | 95                | 24,600 *   | 30,200   | 27,200 |        |        |       |
| 100               |            | 28,400    | 25,700 |        |        |        | 100               | 22,400 *   | 28,200   | 25,900 |        |        |       |
| 105               |            | 26,500    | 24,200 | 21,300 |        |        | 105               | 20,200 *   | 26,400   | 24,200 |        |        |       |
| 110               |            | 23,800 *  | 22,700 | 20,600 |        |        | 110               |            | 24,400 * | 22,800 |        |        |       |
| 115               |            | 21,300 *  | 21,300 | 19,400 |        |        | 115               |            | 22,200 * | 21,400 | 19,100 |        |       |
| 120               |            |           | 20,100 | 18,200 |        |        | 120               |            | 20,200 * | 20,200 | 18,000 |        |       |
| 125               |            |           | 19,000 | 17,300 | 14,600 |        | 125               |            |          | 19,100 | 17,000 |        |       |
| 130               |            |           | 17,900 | 16,400 | 14,400 |        | 130               |            |          | 18,100 | 16,200 |        |       |
| 135               |            |           |        | 15,500 | 13,600 |        | 135               |            |          | 17,100 | 15,300 | 13,000 |       |
| 140               |            |           |        |        | 12,800 | 10,200 | 140               |            |          |        | 14,500 | 12,500 |       |
| 145               |            |           |        |        | 12,200 | 10,200 | 145               |            |          |        | 13,700 | 11,900 | 9,200 |
| 150               |            |           |        |        | 11,400 | 9,700  | 150               |            |          |        | 13,000 | 11,200 | 9,200 |
| 155               |            |           |        |        |        | 9,100  | 155               |            |          |        |        | 10,600 | 8,800 |
| 160               |            |           |        |        |        | 8,500  | 160               |            |          |        |        |        | 8,200 |
| 165               |            |           |        |        |        |        | 165               |            |          |        |        |        | 7,800 |
| 170               |            |           |        |        |        |        | 170               |            |          |        |        |        |       |
| 175               |            |           |        |        |        |        | 175               |            |          |        |        |        |       |

# CK1600-II Luffing Jib Rated Loads in Pounds

11 Counterweights + 2 Low Weights

| 137' Boom         |            |          |        |        |        |       | 125 ft Jib        |            |          |        |        |        |       |
|-------------------|------------|----------|--------|--------|--------|-------|-------------------|------------|----------|--------|--------|--------|-------|
| Load Radius (ft.) | 115 ft Jib |          |        |        |        |       | Load Radius (ft.) | 125 ft Jib |          |        |        |        |       |
|                   | Boom Angle |          |        |        |        |       |                   | Boom Angle |          |        |        |        |       |
|                   | 88         | 83       | 78     | 73     | 68     | 63    |                   | 88         | 83       | 78     | 73     | 68     | 63    |
| 55                | 47,000 *   |          |        |        |        |       | 55                |            |          |        |        |        |       |
| 60                | 45,000 *   |          |        |        |        |       | 60                | 42,000 *   |          |        |        |        |       |
| 65                | 43,200 *   |          |        |        |        |       | 65                | 40,500 *   |          |        |        |        |       |
| 70                | 41,000 *   |          |        |        |        |       | 70                | 39,000 *   |          |        |        |        |       |
| 75                | 37,600 *   | 40,300   |        |        |        |       | 75                | 37,200 *   |          |        |        |        |       |
| 80                | 33,700 *   | 37,400   |        |        |        |       | 80                | 34,100 *   | 36,700   |        |        |        |       |
| 85                | 30,400 *   | 34,600   |        |        |        |       | 85                | 30,600 *   | 34,200   |        |        |        |       |
| 90                | 27,500 *   | 32,100   |        |        |        |       | 90                | 27,700 *   | 31,700   |        |        |        |       |
| 95                | 24,900 *   | 29,900   |        |        |        |       | 95                | 25,100 *   | 29,500   |        |        |        |       |
| 100               | 22,700 *   | 27,900   | 25,000 |        |        |       | 100               | 22,900 *   | 27,600   | 24,400 |        |        |       |
| 105               | 20,700 *   | 26,200   | 24,000 |        |        |       | 105               | 20,900 *   | 25,900   | 23,500 |        |        |       |
| 110               | 18,900 *   | 24,600   | 22,500 |        |        |       | 110               | 19,100 *   | 24,300   | 22,100 |        |        |       |
| 115               | 17,100 *   | 22,700 * | 21,200 |        |        |       | 115               | 17,400 *   | 22,700   | 20,800 |        |        |       |
| 120               |            | 20,700 * | 20,000 | 17,200 |        |       | 120               | 15,800 *   | 20,700 * | 19,700 | 16,700 |        |       |
| 125               |            | 18,900 * | 18,900 | 16,800 |        |       | 125               |            | 18,900 * | 18,600 | 16,400 |        |       |
| 130               |            | 17,100 * | 17,900 | 15,800 |        |       | 130               |            | 17,400 * | 17,600 | 15,500 |        |       |
| 135               |            | 15,400 * | 16,900 | 15,100 |        |       | 135               |            | 15,800 * | 16,600 | 14,600 |        |       |
| 140               |            |          | 16,200 | 14,300 | 12,000 |       | 140               |            | 14,500 * | 15,800 | 13,800 |        |       |
| 145               |            |          | 15,300 | 13,500 | 11,500 |       | 145               |            |          | 14,900 | 13,200 |        |       |
| 150               |            |          |        | 12,800 | 11,000 |       | 150               |            |          | 14,300 | 12,500 | 10,400 |       |
| 155               |            |          |        | 12,200 | 10,300 | 7,800 | 155               |            |          | 13,500 | 11,900 | 9,900  |       |
| 160               |            |          |        |        | 9,800  | 7,800 | 160               |            |          |        | 11,200 | 9,300  | 6,700 |
| 165               |            |          |        |        | 9,200  | 7,400 | 165               |            |          |        | 10,600 | 8,800  | 6,700 |
| 170               |            |          |        |        | 8,800  | 7,000 | 170               |            |          |        | 10,100 | 8,300  | 6,600 |
| 175               |            |          |        |        |        | 6,700 | 175               |            |          |        |        | 7,900  | 6,100 |
| 180               |            |          |        |        |        | 6,200 | 180               |            |          |        |        |        | 5,800 |
| 185               |            |          |        |        |        |       | 185               |            |          |        |        |        | 5,500 |

| 137' Boom         |            |          |        |        |       |    | 145 ft Jib        |            |          |          |        |       |    |
|-------------------|------------|----------|--------|--------|-------|----|-------------------|------------|----------|----------|--------|-------|----|
| Load Radius (ft.) | 135 ft Jib |          |        |        |       |    | Load Radius (ft.) | 145 ft Jib |          |          |        |       |    |
|                   | Boom Angle |          |        |        |       |    |                   | Boom Angle |          |          |        |       |    |
|                   | 88         | 83       | 78     | 73     | 68    | 63 |                   | 88         | 83       | 78       | 73     | 68    | 63 |
| 60                | 38,800 *   |          |        |        |       |    | 60                | 35,500 *   |          |          |        |       |    |
| 65                | 37,000 *   |          |        |        |       |    | 65                | 34,000 *   |          |          |        |       |    |
| 70                | 35,800 *   |          |        |        |       |    | 70                | 32,600 *   |          |          |        |       |    |
| 75                | 34,300 *   |          |        |        |       |    | 75                | 31,500 *   |          |          |        |       |    |
| 80                | 33,000 *   |          |        |        |       |    | 80                | 30,000 *   |          |          |        |       |    |
| 85                | 31,300 *   |          |        |        |       |    | 85                | 29,000 *   | 33,200   |          |        |       |    |
| 90                | 28,400 *   | 31,500   |        |        |       |    | 90                | 27,800 *   | 31,100   |          |        |       |    |
| 95                | 25,700 *   | 29,300   |        |        |       |    | 95                | 25,700 *   | 28,900   |          |        |       |    |
| 100               | 23,500 *   | 27,300   |        |        |       |    | 100               | 23,500 *   | 27,100   |          |        |       |    |
| 105               | 21,600 *   | 25,600   | 22,500 |        |       |    | 105               | 21,600 *   | 25,300   |          |        |       |    |
| 110               | 19,800 *   | 24,000   | 21,800 |        |       |    | 110               | 19,600 *   | 23,800   |          |        |       |    |
| 115               | 18,000 *   | 22,400 * | 20,600 |        |       |    | 115               | 18,000 *   | 22,100 * | 20,000   |        |       |    |
| 120               | 16,500 *   | 20,800 * | 19,400 |        |       |    | 120               | 16,500 *   | 20,700 * | 19,100   |        |       |    |
| 125               | 15,200 *   | 19,100 * | 18,200 | 15,400 |       |    | 125               | 15,200 *   | 18,900 * | 18,000   |        |       |    |
| 130               | 13,800 *   | 17,600 * | 17,300 | 15,200 |       |    | 130               | 14,100 *   | 17,600 * | 17,000   |        |       |    |
| 135               | 12,700 *   | 16,000 * | 16,400 | 14,400 |       |    | 135               | 13,000 *   | 16,000 * | 16,200   | 13,700 |       |    |
| 140               |            | 14,700 * | 15,500 | 13,600 |       |    | 140               | 11,900 *   | 14,700 * | 15,300   | 13,300 |       |    |
| 145               |            | 13,600 * | 14,700 | 12,800 | 9,900 |    | 145               | 10,800 *   | 13,600 * | 14,500   | 12,600 |       |    |
| 150               |            | 12,300 * | 14,100 | 12,200 | 9,900 |    | 150               |            | 12,500 * | 13,800   | 11,900 |       |    |
| 155               |            | 11,000 * | 13,400 | 11,500 | 9,500 |    | 155               |            | 11,400 * | 13,200   | 11,200 | 8,300 |    |
| 160               |            |          | 12,700 | 11,000 | 9,000 |    | 160               |            | 10,500 * | 12,500   | 10,600 | 8,300 |    |
| 165               |            |          |        | 10,300 | 8,400 |    | 165               |            |          | 11,900   | 10,100 | 8,100 |    |
| 170               |            |          |        | 9,900  | 8,000 |    | 170               |            |          | 11,300   | 9,500  | 7,700 |    |
| 175               |            |          |        | 9,300  | 7,600 |    | 175               |            |          | 10,600 * | 9,000  | 7,200 |    |
| 180               |            |          |        |        | 7,100 |    | 180               |            |          |          | 8,500  | 6,800 |    |
| 185               |            |          |        |        | 6,700 |    | 185               |            |          |          | 8,100  | 6,500 |    |
| 190               |            |          |        |        | 6,300 |    | 190               |            |          |          | 7,700  | 6,000 |    |
| 195               |            |          |        |        |       |    | 195               |            |          |          |        | 5,700 |    |
| 200               |            |          |        |        |       |    | 200               |            |          |          |        |       |    |

# CK1600-II Luffing Jib Rated Loads in Pounds

11 Counterweights + 2 Low Weights

| 137' Boom         |            |          |        |        |    |    | 165 ft Jib        |            |          |         |        |    |  |
|-------------------|------------|----------|--------|--------|----|----|-------------------|------------|----------|---------|--------|----|--|
| Load Radius (ft.) | 155 ft Jib |          |        |        |    |    | Load Radius (ft.) | 165 ft Jib |          |         |        |    |  |
|                   | Boom Angle |          |        |        |    |    |                   | Boom Angle |          |         |        |    |  |
|                   | 88         | 83       | 78     | 73     | 68 | 63 | 88                | 83         | 78       | 73      | 68     | 63 |  |
| 65                |            |          |        |        |    |    | 65                |            |          |         |        |    |  |
| 70                | 30,600 *   |          |        |        |    |    | 70                | 28,000 *   |          |         |        |    |  |
| 75                | 29,200 *   |          |        |        |    |    | 75                | 27,000 *   |          |         |        |    |  |
| 80                | 28,000 *   |          |        |        |    |    | 80                | 26,000 *   |          |         |        |    |  |
| 85                | 27,200 *   |          |        |        |    |    | 85                | 25,000 *   |          |         |        |    |  |
| 90                | 26,200 *   |          |        |        |    |    | 90                | 24,000 *   |          |         |        |    |  |
| 95                | 25,000 *   | 28,600   |        |        |    |    | 95                | 23,000 *   | 27,200   |         |        |    |  |
| 100               | 23,300 *   | 26,700   |        |        |    |    | 100               | 22,000 *   | 26,000   |         |        |    |  |
| 105               | 21,300 *   | 25,000   |        |        |    |    | 105               | 21,100 *   | 24,600   |         |        |    |  |
| 110               | 19,400 *   | 23,400   |        |        |    |    | 110               | 19,400 *   | 23,100   |         |        |    |  |
| 115               | 17,800 *   | 21,800 * | 19,100 |        |    |    | 115               | 17,800 *   | 21,600 * |         |        |    |  |
| 120               | 16,500 *   | 20,200 * | 18,700 |        |    |    | 120               | 16,300 *   | 20,000 * | 18,000  |        |    |  |
| 125               | 15,200 *   | 18,900 * | 17,700 |        |    |    | 125               | 14,900 *   | 18,700 * | 17,400  |        |    |  |
| 130               | 13,800 *   | 17,400 * | 16,700 |        |    |    | 130               | 13,800 *   | 17,400 * | 16,400  |        |    |  |
| 135               | 12,700 *   | 16,000 * | 15,800 |        |    |    | 135               | 12,700 *   | 15,800 * | 15,500  |        |    |  |
| 140               | 11,600 *   | 14,700 * | 14,900 | 12,700 |    |    | 140               | 11,600 *   | 14,700 * | 14,700  |        |    |  |
| 145               | 10,800 *   | 13,600 * | 14,200 | 12,100 |    |    | 145               | 10,800 *   | 13,400 * | 13,900  |        |    |  |
| 150               | 9,900 *    | 12,500 * | 13,400 | 11,400 |    |    | 150               | 8,300 *    | 12,500 * | 13,200  | 11,100 |    |  |
| 155               | 9,000 *    | 11,400 * | 12,700 | 10,800 |    |    | 155               |            | 11,400 * | 12,500  | 10,400 |    |  |
| 160               |            | 10,500 * | 12,200 | 10,200 |    |    | 160               |            | 10,500 * | 11,900  | 9,900  |    |  |
| 165               |            | 9,700 *  | 11,500 | 9,700  |    |    | 165               |            | 9,700 *  | 11,300  | 9,300  |    |  |
| 170               |            | 8,800 *  | 11,000 | 9,100  |    |    | 170               |            | 8,800 *  | 10,800  | 8,800  |    |  |
| 175               |            | 7,400 *  | 10,400 | 8,500  |    |    | 175               |            |          | 10,200  | 8,300  |    |  |
| 180               |            |          | 10,000 | 8,100  |    |    | 180               |            |          | 9,700   | 7,800  |    |  |
| 185               |            |          |        | 7,700  |    |    | 185               |            |          | 9,200   | 7,300  |    |  |
| 190               |            |          |        | 7,200  |    |    | 190               |            |          | 8,400 * | 7,000  |    |  |
| 195               |            |          |        | 6,900  |    |    | 195               |            |          |         | 6,600  |    |  |
| 200               |            |          |        |        |    |    | 200               |            |          |         | 6,200  |    |  |
| 205               |            |          |        |        |    |    | 205               |            |          |         | 5,800  |    |  |
| 210               |            |          |        |        |    |    | 210               |            |          |         |        |    |  |

| 137' Boom         |            |          |        |       |    |    | 175 ft Jib        |            |  |  |  |  |  |
|-------------------|------------|----------|--------|-------|----|----|-------------------|------------|--|--|--|--|--|
| Load Radius (ft.) | 175 ft Jib |          |        |       |    |    | Load Radius (ft.) | 175 ft Jib |  |  |  |  |  |
|                   | Boom Angle |          |        |       |    |    |                   | Boom Angle |  |  |  |  |  |
|                   | 88         | 83       | 78     | 73    | 68 | 63 |                   |            |  |  |  |  |  |
| 65                |            |          |        |       |    |    |                   |            |  |  |  |  |  |
| 70                |            |          |        |       |    |    |                   |            |  |  |  |  |  |
| 75                | 25,400 *   |          |        |       |    |    |                   |            |  |  |  |  |  |
| 80                | 24,500 *   |          |        |       |    |    |                   |            |  |  |  |  |  |
| 85                | 23,500 *   |          |        |       |    |    |                   |            |  |  |  |  |  |
| 90                | 22,600 *   |          |        |       |    |    |                   |            |  |  |  |  |  |
| 95                | 21,800 *   |          |        |       |    |    |                   |            |  |  |  |  |  |
| 100               | 21,000 *   | 25,500   |        |       |    |    |                   |            |  |  |  |  |  |
| 105               | 20,000 *   | 23,800   |        |       |    |    |                   |            |  |  |  |  |  |
| 110               | 18,900 *   | 22,800   |        |       |    |    |                   |            |  |  |  |  |  |
| 115               | 17,600 *   | 21,900   |        |       |    |    |                   |            |  |  |  |  |  |
| 120               | 16,000 *   | 20,600   |        |       |    |    |                   |            |  |  |  |  |  |
| 125               | 14,700 *   | 19,500   |        |       |    |    |                   |            |  |  |  |  |  |
| 130               | 13,600 *   | 18,100 * | 16,000 |       |    |    |                   |            |  |  |  |  |  |
| 135               | 12,700 *   | 16,700 * | 15,300 |       |    |    |                   |            |  |  |  |  |  |
| 140               | 10,800 *   | 15,400 * | 14,400 |       |    |    |                   |            |  |  |  |  |  |
| 145               |            | 14,300 * | 13,600 |       |    |    |                   |            |  |  |  |  |  |
| 150               |            | 13,200 * | 13,000 |       |    |    |                   |            |  |  |  |  |  |
| 155               |            | 12,100 * | 12,300 | 9,700 |    |    |                   |            |  |  |  |  |  |
| 160               |            | 11,200 * | 11,600 | 9,500 |    |    |                   |            |  |  |  |  |  |
| 165               |            |          | 11,100 | 9,000 |    |    |                   |            |  |  |  |  |  |
| 170               |            |          | 10,400 | 8,400 |    |    |                   |            |  |  |  |  |  |
| 175               |            |          | 9,900  | 8,000 |    |    |                   |            |  |  |  |  |  |
| 180               |            |          | 9,400  | 7,600 |    |    |                   |            |  |  |  |  |  |
| 185               |            |          | 8,900  | 7,100 |    |    |                   |            |  |  |  |  |  |
| 190               |            |          |        | 6,700 |    |    |                   |            |  |  |  |  |  |
| 195               |            |          |        | 6,200 |    |    |                   |            |  |  |  |  |  |
| 200               |            |          |        | 5,900 |    |    |                   |            |  |  |  |  |  |
| 205               |            |          |        | 5,600 |    |    |                   |            |  |  |  |  |  |
| 210               |            |          |        | 5,200 |    |    |                   |            |  |  |  |  |  |

# CK1600-II Luffing Jib Rated Loads in Pounds

11 Counterweights + 2 Low Weights

| 147' Boom         |            | 75 ft Jib |        |        |        |        | 85 ft Jib         |            |        |        |        |        |       |
|-------------------|------------|-----------|--------|--------|--------|--------|-------------------|------------|--------|--------|--------|--------|-------|
| Load Radius (ft.) | Boom Angle |           |        |        |        |        | Load Radius (ft.) | Boom Angle |        |        |        |        |       |
|                   | 88         | 83        | 78     | 73     | 68     | 63     |                   | 88         | 83     | 78     | 73     | 68     | 63    |
| 40                | 66,200 *   |           |        |        |        |        | 40                |            |        |        |        |        |       |
| 45                | 63,800 *   |           |        |        |        |        | 45                |            |        |        |        |        |       |
| 50                | 60,800 *   |           |        |        |        |        | 50                | 57,000 *   |        |        |        |        |       |
| 55                | 58,600 *   |           |        |        |        |        | 55                | 55,000 *   |        |        |        |        |       |
| 60                | 54,000 *   | 55,000    |        |        |        |        | 60                | 52,500 *   |        |        |        |        |       |
| 65                | 46,900 *   | 49,900    |        |        |        |        | 65                | 47,600 *   |        |        |        |        |       |
| 70                | 41,000 *   | 45,400    |        |        |        |        | 70                | 41,800 *   | 45,000 |        |        |        |       |
| 75                | 36,100 *   | 41,600    |        |        |        |        | 75                | 37,000 *   | 41,200 |        |        |        |       |
| 80                |            | 38,300    | 34,300 |        |        |        | 80                | 32,800 *   | 37,900 |        |        |        |       |
| 85                |            | 35,400    | 32,100 |        |        |        | 85                | 29,300 *   | 35,100 |        |        |        |       |
| 90                |            | 32,900    | 29,800 |        |        |        | 90                |            | 32,600 | 29,400 |        |        |       |
| 95                |            | 30,600    | 27,800 |        |        |        | 95                |            | 30,400 | 27,400 |        |        |       |
| 100               |            |           | 26,000 | 23,200 |        |        | 100               |            | 28,400 | 25,600 |        |        |       |
| 105               |            |           | 24,300 | 22,000 |        |        | 105               |            |        | 24,000 |        |        |       |
| 110               |            |           | 22,900 | 20,700 |        |        | 110               |            |        | 22,500 | 20,300 |        |       |
| 115               |            |           |        | 19,500 |        |        | 115               |            |        | 21,200 | 19,100 |        |       |
| 120               |            |           |        | 18,400 | 16,000 |        | 120               |            |        |        | 18,000 | 15,200 |       |
| 125               |            |           |        | 17,300 | 15,300 |        | 125               |            |        |        | 17,000 | 14,800 |       |
| 130               |            |           |        |        | 14,500 | 11,500 | 130               |            |        |        | 16,000 | 14,100 |       |
| 135               |            |           |        |        | 13,600 | 11,500 | 135               |            |        |        |        | 13,200 |       |
| 140               |            |           |        |        |        | 10,900 | 140               |            |        |        |        | 12,500 | 9,700 |
| 145               |            |           |        |        |        |        | 145               |            |        |        |        | 11,700 | 9,700 |
| 150               |            |           |        |        |        |        | 150               |            |        |        |        |        | 9,100 |
| 155               |            |           |        |        |        |        | 155               |            |        |        |        |        | 8,500 |

| 147' Boom         |            | 95 ft Jib |        |        |        |       | 105 ft Jib        |            |          |        |        |        |       |
|-------------------|------------|-----------|--------|--------|--------|-------|-------------------|------------|----------|--------|--------|--------|-------|
| Load Radius (ft.) | Boom Angle |           |        |        |        |       | Load Radius (ft.) | Boom Angle |          |        |        |        |       |
|                   | 88         | 83        | 78     | 73     | 68     | 63    |                   | 88         | 83       | 78     | 73     | 68     | 63    |
| 40                |            |           |        |        |        |       | 40                |            |          |        |        |        |       |
| 45                |            |           |        |        |        |       | 45                |            |          |        |        |        |       |
| 50                | 52,400 *   |           |        |        |        |       | 50                |            |          |        |        |        |       |
| 55                | 50,500 *   |           |        |        |        |       | 55                | 47,700 *   |          |        |        |        |       |
| 60                | 48,500 *   |           |        |        |        |       | 60                | 45,800 *   |          |        |        |        |       |
| 65                | 47,000 *   |           |        |        |        |       | 65                | 44,000 *   |          |        |        |        |       |
| 70                | 42,300 *   | 44,600    |        |        |        |       | 70                | 41,500 *   |          |        |        |        |       |
| 75                | 37,400 *   | 40,700    |        |        |        |       | 75                | 37,600 *   | 40,500   |        |        |        |       |
| 80                | 33,500 *   | 37,500    |        |        |        |       | 80                | 33,700 *   | 37,300   |        |        |        |       |
| 85                | 29,900 *   | 34,700    |        |        |        |       | 85                | 30,400 *   | 34,500   |        |        |        |       |
| 90                | 26,800 *   | 32,200    | 28,600 |        |        |       | 90                | 27,300 *   | 32,000   |        |        |        |       |
| 95                | 24,200 *   | 30,000    | 27,300 |        |        |       | 95                | 24,900 *   | 29,800   | 26,700 |        |        |       |
| 100               |            | 28,100    | 25,500 |        |        |       | 100               | 22,400 *   | 27,800   | 25,200 |        |        |       |
| 105               |            | 26,300    | 24,000 |        |        |       | 105               |            | 26,100   | 23,600 |        |        |       |
| 110               |            | 24,400 *  | 22,400 | 19,900 |        |       | 110               |            | 24,500   | 22,200 |        |        |       |
| 115               |            | 21,800 *  | 21,200 | 18,700 |        |       | 115               |            | 22,700 * | 21,000 | 17,800 |        |       |
| 120               |            |           | 20,000 | 17,700 |        |       | 120               |            | 20,700 * | 19,800 | 17,400 |        |       |
| 125               |            |           | 18,900 | 16,700 | 13,600 |       | 125               |            |          | 18,700 | 16,400 |        |       |
| 130               |            |           | 17,800 | 15,700 | 13,500 |       | 130               |            |          | 17,700 | 15,500 |        |       |
| 135               |            |           |        | 14,900 | 12,700 |       | 135               |            |          | 16,700 | 14,700 | 12,000 |       |
| 140               |            |           |        | 14,200 | 12,000 |       | 140               |            |          |        | 13,900 | 11,700 |       |
| 145               |            |           |        | 13,400 | 11,300 | 8,500 | 145               |            |          |        | 13,200 | 11,100 |       |
| 150               |            |           |        |        | 10,800 | 8,500 | 150               |            |          |        | 12,500 | 10,400 |       |
| 155               |            |           |        |        | 10,100 | 8,100 | 155               |            |          |        |        | 9,900  | 7,600 |
| 160               |            |           |        |        |        | 7,700 | 160               |            |          |        |        |        | 7,300 |
| 165               |            |           |        |        |        |       | 165               |            |          |        |        |        | 6,900 |
| 170               |            |           |        |        |        |       | 170               |            |          |        |        |        | 6,500 |
| 175               |            |           |        |        |        |       | 175               |            |          |        |        |        | 6,100 |

# CK1600-II Luffing Jib Rated Loads in Pounds

11 Counterweights + 2 Low Weights

| 147' Boom         |            | 115 ft Jib |        |        |        |       |                   | 147' Boom  |          | 125 ft Jib |        |       |    |  |  |
|-------------------|------------|------------|--------|--------|--------|-------|-------------------|------------|----------|------------|--------|-------|----|--|--|
| Load Radius (ft.) | Boom Angle |            |        |        |        |       | Load Radius (ft.) | Boom Angle |          |            |        |       |    |  |  |
|                   | 88         | 83         | 78     | 73     | 68     | 63    |                   | 88         | 83       | 78         | 73     | 68    | 63 |  |  |
| 55                | 44,000 *   |            |        |        |        |       | 55                |            |          |            |        |       |    |  |  |
| 60                | 42,100 *   |            |        |        |        |       | 60                | 39,300 *   |          |            |        |       |    |  |  |
| 65                | 40,500 *   |            |        |        |        |       | 65                | 38,000 *   |          |            |        |       |    |  |  |
| 70                | 39,000 *   |            |        |        |        |       | 70                | 36,500 *   |          |            |        |       |    |  |  |
| 75                | 37,000 *   |            |        |        |        |       | 75                | 35,000 *   |          |            |        |       |    |  |  |
| 80                | 34,000 *   | 37,000     |        |        |        |       | 80                | 33,500 *   | 36,200   |            |        |       |    |  |  |
| 85                | 31,000 *   | 34,200     |        |        |        |       | 85                | 31,700 *   | 33,800   |            |        |       |    |  |  |
| 90                | 27,500 *   | 31,700     |        |        |        |       | 90                | 28,600 *   | 31,400   |            |        |       |    |  |  |
| 95                | 25,200 *   | 29,600     |        |        |        |       | 95                | 26,000 *   | 29,200   |            |        |       |    |  |  |
| 100               | 23,000 *   | 27,600     | 24,500 |        |        |       | 100               | 23,500 *   | 27,300   |            |        |       |    |  |  |
| 105               | 21,100 *   | 25,900     | 23,400 |        |        |       | 105               | 21,600 *   | 25,500   |            |        |       |    |  |  |
| 110               | 19,100 *   | 24,300     | 22,000 |        |        |       | 110               | 19,800 *   | 24,000   | 21,600     |        |       |    |  |  |
| 115               | 17,300 *   | 22,900     | 20,700 |        |        |       | 115               | 18,000 *   | 22,500   | 20,300     |        |       |    |  |  |
| 120               |            | 21,100 *   | 19,600 | 16,500 |        |       | 120               | 16,500 *   | 21,200 * | 19,100     |        |       |    |  |  |
| 125               |            | 19,100 *   | 18,500 | 16,200 |        |       | 125               | 14,900 *   | 19,400 * | 18,100     |        |       |    |  |  |
| 130               |            | 17,600 *   | 17,500 | 15,300 |        |       | 130               |            | 17,800 * | 17,100     | 14,600 |       |    |  |  |
| 135               |            | 15,800 *   | 16,600 | 14,500 |        |       | 135               |            | 16,300 * | 16,300     | 14,100 |       |    |  |  |
| 140               |            |            | 15,700 | 13,700 | 10,600 |       | 140               |            | 14,700 * | 15,400     | 13,300 |       |    |  |  |
| 145               |            |            | 14,900 | 13,000 | 10,600 |       | 145               |            |          | 14,600     | 12,500 | 9,400 |    |  |  |
| 150               |            |            | 14,200 | 12,300 | 10,100 |       | 150               |            |          | 13,800     | 11,900 | 9,400 |    |  |  |
| 155               |            |            |        | 11,600 | 9,500  |       | 155               |            |          | 13,200     | 11,200 | 9,100 |    |  |  |
| 160               |            |            |        | 11,100 | 9,000  | 6,300 | 160               |            |          |            | 10,600 | 8,500 |    |  |  |
| 165               |            |            |        |        | 8,500  | 6,300 | 165               |            |          |            | 10,100 | 8,000 |    |  |  |
| 170               |            |            |        |        | 8,000  | 6,200 | 170               |            |          |            | 9,500  | 7,600 |    |  |  |
| 175               |            |            |        |        | 7,600  | 5,800 | 175               |            |          |            |        | 7,100 |    |  |  |
| 180               |            |            |        |        |        | 5,500 | 180               |            |          |            |        | 6,800 |    |  |  |
| 185               |            |            |        |        |        |       | 185               |            |          |            |        | 6,300 |    |  |  |

| 147' Boom         |            | 135 ft Jib |        |        |       |    |                   | 147' Boom  |          | 145 ft Jib |        |       |    |  |  |
|-------------------|------------|------------|--------|--------|-------|----|-------------------|------------|----------|------------|--------|-------|----|--|--|
| Load Radius (ft.) | Boom Angle |            |        |        |       |    | Load Radius (ft.) | Boom Angle |          |            |        |       |    |  |  |
|                   | 88         | 83         | 78     | 73     | 68    | 63 |                   | 88         | 83       | 78         | 73     | 68    | 63 |  |  |
| 60                | 36,200 *   |            |        |        |       |    | 60                | 33,600 *   |          |            |        |       |    |  |  |
| 65                | 34,800 *   |            |        |        |       |    | 65                | 32,000 *   |          |            |        |       |    |  |  |
| 70                | 33,500 *   |            |        |        |       |    | 70                | 31,000 *   |          |            |        |       |    |  |  |
| 75                | 32,200 *   |            |        |        |       |    | 75                | 29,800 *   |          |            |        |       |    |  |  |
| 80                | 31,000 *   |            |        |        |       |    | 80                | 28,500 *   |          |            |        |       |    |  |  |
| 85                | 30,000 *   |            |        |        |       |    | 85                | 27,500 *   |          |            |        |       |    |  |  |
| 90                | 28,000 *   | 31,000     |        |        |       |    | 90                | 26,300 *   | 30,800   |            |        |       |    |  |  |
| 95                | 26,000 *   | 28,900     |        |        |       |    | 95                | 25,400 *   | 28,600   |            |        |       |    |  |  |
| 100               | 23,500 *   | 27,000     |        |        |       |    | 100               | 23,500 *   | 26,700   |            |        |       |    |  |  |
| 105               | 21,600 *   | 25,300     | 22,000 |        |       |    | 105               | 21,600 *   | 25,000   |            |        |       |    |  |  |
| 110               | 19,800 *   | 23,800     | 21,300 |        |       |    | 110               | 19,800 *   | 23,400   |            |        |       |    |  |  |
| 115               | 18,000 *   | 22,300     | 20,000 |        |       |    | 115               | 18,000 *   | 21,900 * | 19,500     |        |       |    |  |  |
| 120               | 16,700 *   | 20,800 *   | 18,900 |        |       |    | 120               | 16,700 *   | 20,500 * | 18,600     |        |       |    |  |  |
| 125               | 15,200 *   | 19,400 *   | 17,800 |        |       |    | 125               | 15,400 *   | 19,400 * | 17,600     |        |       |    |  |  |
| 130               | 13,800 *   | 17,800 *   | 16,800 |        |       |    | 130               | 14,100 *   | 17,800 * | 16,600     |        |       |    |  |  |
| 135               | 12,700 *   | 16,300 *   | 15,900 | 13,300 |       |    | 135               | 13,000 *   | 16,500 * | 15,700     |        |       |    |  |  |
| 140               |            | 14,900 *   | 15,200 | 13,000 |       |    | 140               | 11,900 *   | 15,200 * | 14,900     | 12,000 |       |    |  |  |
| 145               |            | 13,800 *   | 14,400 | 12,200 |       |    | 145               |            | 13,800 * | 14,200     | 11,900 |       |    |  |  |
| 150               |            | 12,500 *   | 13,600 | 11,500 | 8,400 |    | 150               |            | 12,700 * | 13,400     | 11,200 |       |    |  |  |
| 155               |            | 11,400 *   | 13,000 | 11,000 | 8,400 |    | 155               |            | 11,600 * | 12,700     | 10,600 |       |    |  |  |
| 160               |            |            | 12,400 | 10,300 | 8,200 |    | 160               |            | 10,800 * | 12,200     | 10,000 | 7,300 |    |  |  |
| 165               |            |            | 11,700 | 9,800  | 7,800 |    | 165               |            |          | 11,500     | 9,400  | 7,300 |    |  |  |
| 170               |            |            | 11,200 | 9,200  | 7,200 |    | 170               |            |          | 11,000     | 9,000  | 6,900 |    |  |  |
| 175               |            |            |        | 8,800  | 6,900 |    | 175               |            |          | 10,400     | 8,400  | 6,600 |    |  |  |
| 180               |            |            |        | 8,300  | 6,500 |    | 180               |            |          |            | 8,000  | 6,100 |    |  |  |
| 185               |            |            |        |        | 6,000 |    | 185               |            |          |            | 7,600  | 5,800 |    |  |  |
| 190               |            |            |        |        | 5,700 |    | 190               |            |          |            |        | 5,400 |    |  |  |
| 195               |            |            |        |        |       |    | 195               |            |          |            |        | 5,000 |    |  |  |
| 200               |            |            |        |        |       |    | 200               |            |          |            |        | 4,700 |    |  |  |

# CK1600-II Luffing Jib Rated Loads in Pounds

11 Counterweights + 2 Low Weights

| 147' Boom         |            |          |        |        |    |    | 147' Boom         |            |          |         |        |    |    |
|-------------------|------------|----------|--------|--------|----|----|-------------------|------------|----------|---------|--------|----|----|
| Load Radius (ft.) | 155 ft Jib |          |        |        |    |    | Load Radius (ft.) | 165 ft Jib |          |         |        |    |    |
|                   | Boom Angle |          |        |        |    |    |                   | Boom Angle |          |         |        |    |    |
|                   | 88         | 83       | 78     | 73     | 68 | 63 |                   | 88         | 83       | 78      | 73     | 68 | 63 |
| 65                |            |          |        |        |    |    | 65                |            |          |         |        |    |    |
| 70                | 29,200 *   |          |        |        |    |    | 70                | 26,800 *   |          |         |        |    |    |
| 75                | 28,000 *   |          |        |        |    |    | 75                | 25,600 *   |          |         |        |    |    |
| 80                | 26,800 *   |          |        |        |    |    | 80                | 24,700 *   |          |         |        |    |    |
| 85                | 25,800 *   |          |        |        |    |    | 85                | 23,800 *   |          |         |        |    |    |
| 90                | 24,800 *   |          |        |        |    |    | 90                | 23,000 *   |          |         |        |    |    |
| 95                | 24,000 *   | 28,200   |        |        |    |    | 95                | 22,000 *   | 26,000   |         |        |    |    |
| 100               | 23,000 *   | 26,400   |        |        |    |    | 100               | 21,000 *   | 24,800   |         |        |    |    |
| 105               | 21,300 *   | 24,600   |        |        |    |    | 105               | 20,400 *   | 24,000   |         |        |    |    |
| 110               | 19,600 *   | 23,100   |        |        |    |    | 110               | 19,400 *   | 23,000   |         |        |    |    |
| 115               | 18,000 *   | 21,700   |        |        |    |    | 115               | 17,800 *   | 21,900   |         |        |    |    |
| 120               | 16,500 *   | 20,200 * | 17,700 |        |    |    | 120               | 16,300 *   | 20,600   | 17,000  |        |    |    |
| 125               | 15,200 *   | 18,900 * | 17,100 |        |    |    | 125               | 14,900 *   | 19,400   | 16,800  |        |    |    |
| 130               | 13,800 *   | 17,600 * | 16,300 |        |    |    | 130               | 13,800 *   | 18,400   | 15,800  |        |    |    |
| 135               | 12,900 *   | 16,300 * | 15,400 |        |    |    | 135               | 12,700 *   | 17,300 * | 15,100  |        |    |    |
| 140               | 11,900 *   | 14,900 * | 14,500 | 11,200 |    |    | 140               | 11,600 *   | 15,900 * | 14,100  |        |    |    |
| 145               | 10,800 *   | 13,800 * | 13,700 | 11,200 |    |    | 145               | 10,800 *   | 14,700 * | 13,400  | 10,100 |    |    |
| 150               | 9,900 *    | 12,700 * | 13,100 | 10,800 |    |    | 150               | 8,100 *    | 13,600 * | 12,700  | 10,100 |    |    |
| 155               | 9,000 *    | 11,600 * | 12,400 | 10,100 |    |    | 155               |            | 12,500 * | 12,100  | 9,800  |    |    |
| 160               |            | 10,800 * | 11,700 | 9,500  |    |    | 160               |            | 11,400 * | 11,400  | 9,200  |    |    |
| 165               |            | 9,900 *  | 11,200 | 9,000  |    |    | 165               |            | 10,500 * | 10,800  | 8,700  |    |    |
| 170               |            | 9,000 *  | 10,600 | 8,500  |    |    | 170               |            | 9,700 *  | 10,100  | 8,200  |    |    |
| 175               |            |          | 10,000 | 8,000  |    |    | 175               |            |          | 9,500 * | 7,700  |    |    |
| 180               |            |          | 9,400  | 7,600  |    |    | 180               |            |          | 9,000 * | 7,200  |    |    |
| 185               |            |          | 8,800  | 7,100  |    |    | 185               |            |          | 8,500 * | 6,900  |    |    |
| 190               |            |          |        | 6,800  |    |    | 190               |            |          | 8,100 * | 6,500  |    |    |
| 195               |            |          |        | 6,300  |    |    | 195               |            |          | 6,500 * | 6,100  |    |    |
| 200               |            |          |        | 6,000  |    |    | 200               |            |          |         | 5,700  |    |    |
| 205               |            |          |        |        |    |    | 205               |            |          |         | 5,400  |    |    |
| 210               |            |          |        |        |    |    | 210               |            |          |         |        |    |    |

| 147' Boom         |            |          |          |       |    |    | 147' Boom         |            |    |    |    |    |    |
|-------------------|------------|----------|----------|-------|----|----|-------------------|------------|----|----|----|----|----|
| Load Radius (ft.) | 175 ft Jib |          |          |       |    |    | Load Radius (ft.) | 175 ft Jib |    |    |    |    |    |
|                   | Boom Angle |          |          |       |    |    |                   | Boom Angle |    |    |    |    |    |
|                   | 88         | 83       | 78       | 73    | 68 | 63 |                   | 88         | 83 | 78 | 73 | 68 | 63 |
| 65                |            |          |          |       |    |    |                   |            |    |    |    |    |    |
| 70                |            |          |          |       |    |    |                   |            |    |    |    |    |    |
| 75                | 24,000 *   |          |          |       |    |    |                   |            |    |    |    |    |    |
| 80                | 23,000 *   |          |          |       |    |    |                   |            |    |    |    |    |    |
| 85                | 22,200 *   |          |          |       |    |    |                   |            |    |    |    |    |    |
| 90                | 21,500 *   |          |          |       |    |    |                   |            |    |    |    |    |    |
| 95                | 20,500 *   |          |          |       |    |    |                   |            |    |    |    |    |    |
| 100               | 19,800 *   | 23,500   |          |       |    |    |                   |            |    |    |    |    |    |
| 105               | 19,000 *   | 22,500   |          |       |    |    |                   |            |    |    |    |    |    |
| 110               | 18,200 *   | 21,800   |          |       |    |    |                   |            |    |    |    |    |    |
| 115               | 17,600 *   | 21,000   |          |       |    |    |                   |            |    |    |    |    |    |
| 120               | 16,300 *   | 20,000   |          |       |    |    |                   |            |    |    |    |    |    |
| 125               | 14,900 *   | 19,100   |          |       |    |    |                   |            |    |    |    |    |    |
| 130               | 13,600 *   | 18,100   | 15,000   |       |    |    |                   |            |    |    |    |    |    |
| 135               | 12,600 *   | 16,900 * | 14,500   |       |    |    |                   |            |    |    |    |    |    |
| 140               |            | 15,800 * | 13,600   |       |    |    |                   |            |    |    |    |    |    |
| 145               |            | 14,500 * | 13,000 * |       |    |    |                   |            |    |    |    |    |    |
| 150               |            | 13,400 * | 12,100 * |       |    |    |                   |            |    |    |    |    |    |
| 155               |            | 12,300 * | 11,400 * | 9,100 |    |    |                   |            |    |    |    |    |    |
| 160               |            | 11,400 * | 11,000 * | 8,900 |    |    |                   |            |    |    |    |    |    |
| 165               |            | 10,500 * | 10,300 * | 8,300 |    |    |                   |            |    |    |    |    |    |
| 170               |            |          | 9,700 *  | 7,900 |    |    |                   |            |    |    |    |    |    |
| 175               |            |          | 9,200 *  | 7,400 |    |    |                   |            |    |    |    |    |    |
| 180               |            |          | 8,800 *  | 7,000 |    |    |                   |            |    |    |    |    |    |
| 185               |            |          | 8,300 *  | 6,600 |    |    |                   |            |    |    |    |    |    |
| 190               |            |          | 7,700 *  | 6,100 |    |    |                   |            |    |    |    |    |    |
| 195               |            |          |          | 5,800 |    |    |                   |            |    |    |    |    |    |
| 200               |            |          |          | 5,500 |    |    |                   |            |    |    |    |    |    |
| 205               |            |          |          | 5,000 |    |    |                   |            |    |    |    |    |    |
| 210               |            |          |          |       |    |    |                   |            |    |    |    |    |    |

# CK1600-II Luffing Jib Rated Loads in Pounds

11 Counterweights + 2 Low Weights

| 157' Boom         |            |        |        |        |        |       | 157' Boom         |            |        |        |        |        |       |
|-------------------|------------|--------|--------|--------|--------|-------|-------------------|------------|--------|--------|--------|--------|-------|
| Load Radius (ft.) | 75 ft Jib  |        |        |        |        |       | Load Radius (ft.) | 85 ft Jib  |        |        |        |        |       |
|                   | Boom Angle |        |        |        |        |       |                   | Boom Angle |        |        |        |        |       |
|                   | 88         | 83     | 78     | 73     | 68     | 63    |                   | 88         | 83     | 78     | 73     | 68     | 63    |
| 40                | 60,700 *   |        |        |        |        |       | 40                |            |        |        |        |        |       |
| 45                | 59,000 *   |        |        |        |        |       | 45                |            |        |        |        |        |       |
| 50                | 56,300 *   |        |        |        |        |       | 50                | 52,500 *   |        |        |        |        |       |
| 55                | 54,200 *   |        |        |        |        |       | 55                | 50,700 *   |        |        |        |        |       |
| 60                | 52,000 *   | 54,300 |        |        |        |       | 60                | 48,500 *   |        |        |        |        |       |
| 65                | 47,300 *   | 49,300 |        |        |        |       | 65                | 46,700 *   |        |        |        |        |       |
| 70                | 41,400 *   | 44,800 |        |        |        |       | 70                | 42,100 *   | 44,500 |        |        |        |       |
| 75                | 36,300 *   | 41,100 |        |        |        |       | 75                | 37,200 *   | 40,700 |        |        |        |       |
| 80                |            | 37,900 | 33,500 |        |        |       | 80                | 33,000 *   | 37,400 |        |        |        |       |
| 85                |            | 35,000 | 31,300 |        |        |       | 85                |            | 34,700 | 30,400 |        |        |       |
| 90                |            | 32,500 | 29,100 |        |        |       | 90                |            | 32,100 | 28,600 |        |        |       |
| 95                |            | 30,300 | 27,100 |        |        |       | 95                |            | 30,000 | 26,600 |        |        |       |
| 100               |            |        | 25,300 | 21,900 |        |       | 100               |            | 28,100 | 25,000 |        |        |       |
| 105               |            |        | 23,800 | 21,100 |        |       | 105               |            | 26,300 | 23,300 | 20,000 |        |       |
| 110               |            |        | 22,200 | 19,900 |        |       | 110               |            | 22,900 | 22,000 | 19,500 |        |       |
| 115               |            |        |        | 18,700 |        |       | 115               |            |        | 20,700 | 18,200 |        |       |
| 120               |            |        |        | 17,600 | 14,400 |       | 120               |            |        | 19,500 | 17,300 |        |       |
| 125               |            |        |        | 16,600 | 14,200 |       | 125               |            |        | 18,400 | 16,300 | 13,000 |       |
| 130               |            |        |        |        | 13,400 |       | 130               |            |        |        | 15,400 | 12,800 |       |
| 135               |            |        |        |        | 12,600 |       | 135               |            |        |        | 14,500 | 12,200 |       |
| 140               |            |        |        |        |        | 9,200 | 140               |            |        |        |        | 11,400 |       |
| 145               |            |        |        |        |        | 9,000 | 145               |            |        |        |        | 10,800 |       |
| 150               |            |        |        |        |        | 8,400 | 150               |            |        |        |        | 10,100 | 8,000 |
| 155               |            |        |        |        |        |       | 155               |            |        |        |        |        | 7,400 |
| 160               |            |        |        |        |        |       | 160               |            |        |        |        |        | 7,000 |

| 157' Boom         |            |          |        |        |        |       | 157' Boom         |            |          |        |        |        |       |
|-------------------|------------|----------|--------|--------|--------|-------|-------------------|------------|----------|--------|--------|--------|-------|
| Load Radius (ft.) | 95 ft Jib  |          |        |        |        |       | Load Radius (ft.) | 105 ft Jib |          |        |        |        |       |
|                   | Boom Angle |          |        |        |        |       |                   | Boom Angle |          |        |        |        |       |
|                   | 88         | 83       | 78     | 73     | 68     | 63    |                   | 88         | 83       | 78     | 73     | 68     | 63    |
| 50                | 48,500 *   |          |        |        |        |       | 50                |            |          |        |        |        |       |
| 55                | 46,600 *   |          |        |        |        |       | 55                | 44,000 *   |          |        |        |        |       |
| 60                | 44,800 *   |          |        |        |        |       | 60                | 42,000 *   |          |        |        |        |       |
| 65                | 43,000 *   |          |        |        |        |       | 65                | 40,700 *   |          |        |        |        |       |
| 70                | 41,000 *   |          |        |        |        |       | 70                | 39,000 *   |          |        |        |        |       |
| 75                | 37,600 *   | 40,300   |        |        |        |       | 75                | 37,000 *   | 40,000   |        |        |        |       |
| 80                | 33,700 *   | 37,100   |        |        |        |       | 80                | 33,900 *   | 36,800   |        |        |        |       |
| 85                | 30,200 *   | 34,200   |        |        |        |       | 85                | 30,600 *   | 34,000   |        |        |        |       |
| 90                | 27,100 *   | 31,800   |        |        |        |       | 90                | 27,500 *   | 31,600   |        |        |        |       |
| 95                | 24,400 *   | 29,600   | 26,000 |        |        |       | 95                | 24,900 *   | 29,400   |        |        |        |       |
| 100               |            | 27,700   | 24,900 |        |        |       | 100               | 22,400 *   | 27,500   | 24,000 |        |        |       |
| 105               |            | 26,000   | 23,300 |        |        |       | 105               | 20,500 *   | 25,700   | 23,000 |        |        |       |
| 110               |            | 24,400   | 21,900 |        |        |       | 110               |            | 24,200   | 21,700 |        |        |       |
| 115               |            | 22,400 * | 20,600 | 17,600 |        |       | 115               |            | 22,800   | 20,300 |        |        |       |
| 120               |            |          | 19,500 | 16,800 |        |       | 120               |            | 21,100 * | 19,200 | 16,100 |        |       |
| 125               |            |          | 18,400 | 15,900 |        |       | 125               |            | 18,900 * | 18,100 | 15,600 |        |       |
| 130               |            |          | 17,200 | 15,100 |        |       | 130               |            | 16,300 * | 17,100 | 14,800 |        |       |
| 135               |            |          |        | 14,200 | 11,300 |       | 135               |            |          | 16,300 | 13,900 |        |       |
| 140               |            |          |        | 13,500 | 11,000 |       | 140               |            |          | 15,400 | 13,200 | 10,100 |       |
| 145               |            |          |        | 12,700 | 10,300 |       | 145               |            |          |        | 12,500 | 10,000 |       |
| 150               |            |          |        |        | 9,800  |       | 150               |            |          |        | 11,900 | 9,400  |       |
| 155               |            |          |        |        | 9,200  |       | 155               |            |          |        | 11,200 | 8,900  |       |
| 160               |            |          |        |        |        | 6,600 | 160               |            |          |        |        | 8,300  | 5,800 |
| 165               |            |          |        |        |        | 6,100 | 165               |            |          |        |        | 7,900  | 5,800 |
| 170               |            |          |        |        |        |       | 170               |            |          |        |        |        | 5,500 |
| 175               |            |          |        |        |        |       | 175               |            |          |        |        |        | 5,000 |
| 180               |            |          |        |        |        |       | 180               |            |          |        |        |        |       |
| 185               |            |          |        |        |        |       | 185               |            |          |        |        |        |       |

# CK1600-II Luffing Jib Rated Loads in Pounds

11 Counterweights + 2 Low Weights

| 157' Boom         |            | 115 ft Jib |        |        |       |    |                   | 157' Boom  |          | 125 ft Jib |        |       |    |  |  |
|-------------------|------------|------------|--------|--------|-------|----|-------------------|------------|----------|------------|--------|-------|----|--|--|
| Load Radius (ft.) | Boom Angle |            |        |        |       |    | Load Radius (ft.) | Boom Angle |          |            |        |       |    |  |  |
|                   | 88         | 83         | 78     | 73     | 68    | 63 |                   | 88         | 83       | 78         | 73     | 68    | 63 |  |  |
| 55                | 40,500 *   |            |        |        |       |    | 55                |            |          |            |        |       |    |  |  |
| 60                | 39,000 *   |            |        |        |       |    | 60                | 36,800 *   |          |            |        |       |    |  |  |
| 65                | 37,500 *   |            |        |        |       |    | 65                | 35,300 *   |          |            |        |       |    |  |  |
| 70                | 36,000 *   |            |        |        |       |    | 70                | 34,000 *   |          |            |        |       |    |  |  |
| 75                | 34,500 *   |            |        |        |       |    | 75                | 32,700 *   |          |            |        |       |    |  |  |
| 80                | 33,000 *   | 36,000     |        |        |       |    | 80                | 31,500 *   | 35,700   |            |        |       |    |  |  |
| 85                | 31,900 *   | 33,700     |        |        |       |    | 85                | 30,200 *   | 33,300   |            |        |       |    |  |  |
| 90                | 28,800 *   | 31,300     |        |        |       |    | 90                | 28,500 *   | 30,900   |            |        |       |    |  |  |
| 95                | 26,200 *   | 29,200     |        |        |       |    | 95                | 26,200 *   | 28,700   |            |        |       |    |  |  |
| 100               | 23,800 *   | 27,300     | 23,500 |        |       |    | 100               | 23,800 *   | 26,800   |            |        |       |    |  |  |
| 105               | 21,600 *   | 25,500     | 22,800 |        |       |    | 105               | 21,600 *   | 25,200   | 21,600     |        |       |    |  |  |
| 110               | 19,600 *   | 24,000     | 21,300 |        |       |    | 110               | 19,800 *   | 23,600   | 21,000     |        |       |    |  |  |
| 115               | 17,800 *   | 22,500     | 20,100 |        |       |    | 115               | 18,000 *   | 22,200   | 19,700     |        |       |    |  |  |
| 120               |            | 21,300     | 19,000 |        |       |    | 120               | 16,500 *   | 20,800 * | 18,600     |        |       |    |  |  |
| 125               |            | 19,700 *   | 17,900 |        |       |    | 125               |            | 19,600 * | 17,600     |        |       |    |  |  |
| 130               |            | 17,800 *   | 16,900 | 14,400 |       |    | 130               |            | 18,000 * | 16,600     | 13,900 |       |    |  |  |
| 135               |            | 16,300 *   | 16,000 | 13,700 |       |    | 135               |            | 16,500 * | 15,700     | 13,200 |       |    |  |  |
| 140               |            |            | 15,300 | 13,000 |       |    | 140               |            | 15,200 * | 14,900     | 12,400 |       |    |  |  |
| 145               |            |            | 14,500 | 12,200 |       |    | 145               |            |          | 14,200     | 11,700 |       |    |  |  |
| 150               |            |            | 13,700 | 11,500 | 9,100 |    | 150               |            |          | 13,400     | 11,100 |       |    |  |  |
| 155               |            |            |        | 11,000 | 8,500 |    | 155               |            |          | 12,700     | 10,500 | 7,800 |    |  |  |
| 160               |            |            |        | 10,300 | 8,100 |    | 160               |            |          | 12,000 *   | 9,900  | 7,600 |    |  |  |
| 165               |            |            |        |        | 7,600 |    | 165               |            |          |            | 9,300  | 7,100 |    |  |  |
| 170               |            |            |        |        | 7,100 |    | 170               |            |          |            | 8,900  | 6,700 |    |  |  |
| 175               |            |            |        |        | 6,800 |    | 175               |            |          |            | 8,300  | 6,300 |    |  |  |
| 180               |            |            |        |        |       |    | 180               |            |          |            |        | 5,900 |    |  |  |
| 185               |            |            |        |        |       |    | 185               |            |          |            |        | 5,600 |    |  |  |

| 157' Boom         |            | 135 ft Jib |          |        |       |    |                   | 157' Boom  |          | 145 ft Jib |        |    |    |  |  |
|-------------------|------------|------------|----------|--------|-------|----|-------------------|------------|----------|------------|--------|----|----|--|--|
| Load Radius (ft.) | Boom Angle |            |          |        |       |    | Load Radius (ft.) | Boom Angle |          |            |        |    |    |  |  |
|                   | 88         | 83         | 78       | 73     | 68    | 63 |                   | 88         | 83       | 78         | 73     | 68 | 63 |  |  |
| 60                | 34,000 *   |            |          |        |       |    | 60                |            |          |            |        |    |    |  |  |
| 65                | 32,700 *   |            |          |        |       |    | 65                |            |          |            |        |    |    |  |  |
| 70                | 31,300 *   |            |          |        |       |    | 70                | 29,800 *   |          |            |        |    |    |  |  |
| 75                | 30,000 *   |            |          |        |       |    | 75                | 28,800 *   |          |            |        |    |    |  |  |
| 80                | 29,000 *   |            |          |        |       |    | 80                | 27,500 *   |          |            |        |    |    |  |  |
| 85                | 28,000 *   |            |          |        |       |    | 85                | 26,500 *   |          |            |        |    |    |  |  |
| 90                | 27,000 *   | 30,600     |          |        |       |    | 90                | 25,500 *   | 29,500   |            |        |    |    |  |  |
| 95                | 25,600 *   | 28,500     |          |        |       |    | 95                | 24,500 *   | 28,000   |            |        |    |    |  |  |
| 100               | 23,800 *   | 26,600     |          |        |       |    | 100               | 23,500 *   | 26,300   |            |        |    |    |  |  |
| 105               | 21,800 *   | 24,900     |          |        |       |    | 105               | 21,600 *   | 24,600   |            |        |    |    |  |  |
| 110               | 19,800 *   | 23,300     |          |        |       |    | 110               | 19,800 *   | 23,100   |            |        |    |    |  |  |
| 115               | 18,200 *   | 22,000     | 19,100   |        |       |    | 115               | 18,200 *   | 21,700   | 18,400     |        |    |    |  |  |
| 120               | 16,700 *   | 20,600 *   | 18,200   |        |       |    | 120               | 16,700 *   | 20,300 * | 18,000     |        |    |    |  |  |
| 125               | 15,400 *   | 19,400 *   | 17,300   |        |       |    | 125               | 15,400 *   | 18,900 * | 17,000     |        |    |    |  |  |
| 130               | 14,100 *   | 18,200 *   | 16,400   |        |       |    | 130               | 14,100 *   | 17,800 * | 16,000     |        |    |    |  |  |
| 135               | 12,700 *   | 16,700 *   | 15,500   | 12,400 |       |    | 135               | 13,000 *   | 16,700 * | 15,200     |        |    |    |  |  |
| 140               |            | 15,400 *   | 14,600   | 12,100 |       |    | 140               | 11,900 *   | 15,400 * | 14,400     | 11,000 |    |    |  |  |
| 145               |            | 14,100 *   | 13,900   | 11,400 |       |    | 145               |            | 14,100 * | 13,600     | 11,000 |    |    |  |  |
| 150               |            | 12,700 *   | 13,200   | 10,800 |       |    | 150               |            | 13,000 * | 13,000     | 10,400 |    |    |  |  |
| 155               |            | 11,600 *   | 12,500   | 10,200 |       |    | 155               |            | 11,900 * | 12,300     | 9,900  |    |    |  |  |
| 160               |            |            | 12,000   | 9,700  | 6,700 |    | 160               |            | 11,000 * | 11,500 *   | 9,300  |    |    |  |  |
| 165               |            |            | 11,200 * | 9,100  | 6,700 |    | 165               |            |          | 11,000 *   | 8,800  |    |    |  |  |
| 170               |            |            |          | 8,500  | 6,300 |    | 170               |            |          | 10,300 *   | 8,200  |    |    |  |  |
| 175               |            |            |          | 8,100  | 6,000 |    | 175               |            |          | 9,700 *    | 7,800  |    |    |  |  |
| 180               |            |            |          | 7,700  | 5,600 |    | 180               |            |          | 9,000 *    | 7,300  |    |    |  |  |
| 185               |            |            |          |        | 5,200 |    | 185               |            |          |            | 6,900  |    |    |  |  |
| 190               |            |            |          |        | 4,900 |    | 190               |            |          |            | 6,600  |    |    |  |  |
| 195               |            |            |          |        | 4,400 |    | 195               |            |          |            | 6,100  |    |    |  |  |
| 200               |            |            |          |        |       |    | 200               |            |          |            |        |    |    |  |  |

# CK1600-II Luffing Jib Rated Loads in Pounds

11 Counterweights + 2 Low Weights

| 157' Boom         |            |          |          |       |    |    | 165 ft Jib        |            |          |          |       |    |  |
|-------------------|------------|----------|----------|-------|----|----|-------------------|------------|----------|----------|-------|----|--|
| Load Radius (ft.) | 155 ft Jib |          |          |       |    |    | Load Radius (ft.) | 165 ft Jib |          |          |       |    |  |
|                   | Boom Angle |          |          |       |    |    |                   | Boom Angle |          |          |       |    |  |
|                   | 88         | 83       | 78       | 73    | 68 | 63 | 88                | 83         | 78       | 73       | 68    | 63 |  |
| 65                |            |          |          |       |    |    | 65                |            |          |          |       |    |  |
| 70                | 27,500 *   |          |          |       |    |    | 70                | 25,300 *   |          |          |       |    |  |
| 75                | 26,500 *   |          |          |       |    |    | 75                | 24,500 *   |          |          |       |    |  |
| 80                | 25,500 *   |          |          |       |    |    | 80                | 23,300 *   |          |          |       |    |  |
| 85                | 24,400 *   |          |          |       |    |    | 85                | 22,500 *   |          |          |       |    |  |
| 90                | 23,400 *   |          |          |       |    |    | 90                | 21,800 *   |          |          |       |    |  |
| 95                | 22,500 *   | 26,700   |          |       |    |    | 95                | 20,700 *   |          |          |       |    |  |
| 100               | 21,800 *   | 25,700   |          |       |    |    | 100               | 20,000 *   | 24,200   |          |       |    |  |
| 105               | 21,000 *   | 24,600   |          |       |    |    | 105               | 19,300 *   | 23,300   |          |       |    |  |
| 110               | 19,600 *   | 23,100   |          |       |    |    | 110               | 18,500 *   | 22,500   |          |       |    |  |
| 115               | 18,000 *   | 21,800   |          |       |    |    | 115               | 17,800 *   | 21,400   |          |       |    |  |
| 120               | 16,500 *   | 20,500   | 16,400   |       |    |    | 120               | 16,500 *   | 20,200   |          |       |    |  |
| 125               | 15,200 *   | 19,400   | 16,300   |       |    |    | 125               | 15,200 *   | 19,100   |          |       |    |  |
| 130               | 14,100 *   | 18,200   | 15,400   |       |    |    | 130               | 13,800 *   | 18,000   | 14,600 * |       |    |  |
| 135               | 12,700 *   | 17,300 * | 14,500   |       |    |    | 135               | 12,700 *   | 16,800 * | 14,100 * |       |    |  |
| 140               | 11,900 *   | 16,300 * | 13,600 * |       |    |    | 140               | 11,700 *   | 15,800 * | 13,200 * |       |    |  |
| 145               | 10,800 *   | 14,900 * | 13,000 * |       |    |    | 145               |            | 14,900 * | 12,500 * |       |    |  |
| 150               | 9,900 *    | 13,800 * | 12,300 * | 9,600 |    |    | 150               |            | 13,800 * | 11,900 * |       |    |  |
| 155               | 9,000 *    | 12,700 * | 11,600 * | 9,300 |    |    | 155               |            | 12,700 * | 11,200 * | 8,500 |    |  |
| 160               |            | 11,600 * | 11,000 * | 8,800 |    |    | 160               |            | 11,600 * | 10,500 * | 8,400 |    |  |
| 165               |            | 10,800 * | 10,300 * | 8,300 |    |    | 165               |            | 10,800 * | 9,900 *  | 8,000 |    |  |
| 170               |            | 9,700 *  | 9,900 *  | 7,800 |    |    | 170               |            |          | 9,400 *  | 7,400 |    |  |
| 175               |            | 8,800 *  | 9,200 *  | 7,300 |    |    | 175               |            |          | 8,800 *  | 7,000 |    |  |
| 180               |            |          | 8,800 *  | 6,900 |    |    | 180               |            |          | 8,300 *  | 6,600 |    |  |
| 185               |            |          | 8,100 *  | 6,600 |    |    | 185               |            |          | 7,900 *  | 6,200 |    |  |
| 190               |            |          |          | 6,100 |    |    | 190               |            |          | 7,400 *  | 5,800 |    |  |
| 195               |            |          |          | 5,800 |    |    | 195               |            |          | 6,800 *  | 5,500 |    |  |
| 200               |            |          |          | 5,400 |    |    | 200               |            |          |          | 5,100 |    |  |
| 205               |            |          |          |       |    |    | 205               |            |          |          | 4,800 |    |  |
| 210               |            |          |          |       |    |    | 210               |            |          |          |       |    |  |

| 157' Boom         |            |          |          |       |    |    | 175 ft Jib        |            |  |  |  |  |  |
|-------------------|------------|----------|----------|-------|----|----|-------------------|------------|--|--|--|--|--|
| Load Radius (ft.) | 175 ft Jib |          |          |       |    |    | Load Radius (ft.) | 175 ft Jib |  |  |  |  |  |
|                   | Boom Angle |          |          |       |    |    |                   | Boom Angle |  |  |  |  |  |
|                   | 88         | 83       | 78       | 73    | 68 | 63 |                   |            |  |  |  |  |  |
| 65                |            |          |          |       |    |    |                   |            |  |  |  |  |  |
| 70                |            |          |          |       |    |    |                   |            |  |  |  |  |  |
| 75                | 23,000 *   |          |          |       |    |    |                   |            |  |  |  |  |  |
| 80                | 22,200 *   |          |          |       |    |    |                   |            |  |  |  |  |  |
| 85                | 21,300 *   |          |          |       |    |    |                   |            |  |  |  |  |  |
| 90                | 20,500 *   |          |          |       |    |    |                   |            |  |  |  |  |  |
| 95                | 19,700 *   |          |          |       |    |    |                   |            |  |  |  |  |  |
| 100               | 19,000 *   | 22,500   |          |       |    |    |                   |            |  |  |  |  |  |
| 105               | 18,300 *   | 21,500   |          |       |    |    |                   |            |  |  |  |  |  |
| 110               | 17,600 *   | 20,800   |          |       |    |    |                   |            |  |  |  |  |  |
| 115               | 17,000 *   | 20,000   |          |       |    |    |                   |            |  |  |  |  |  |
| 120               | 16,000 *   | 19,200   |          |       |    |    |                   |            |  |  |  |  |  |
| 125               | 14,900 *   | 18,500   | 14,100 * |       |    |    |                   |            |  |  |  |  |  |
| 130               | 13,700 *   | 17,800   | 14,100 * |       |    |    |                   |            |  |  |  |  |  |
| 135               | 12,700 *   | 16,600 * | 13,600 * |       |    |    |                   |            |  |  |  |  |  |
| 140               |            | 15,600 * | 12,700 * |       |    |    |                   |            |  |  |  |  |  |
| 145               |            | 14,700 * | 12,000 * |       |    |    |                   |            |  |  |  |  |  |
| 150               |            | 13,600 * | 11,300 * |       |    |    |                   |            |  |  |  |  |  |
| 155               |            | 12,500 * | 10,700 * | 7,700 |    |    |                   |            |  |  |  |  |  |
| 160               |            | 11,600 * | 10,100 * | 7,700 |    |    |                   |            |  |  |  |  |  |
| 165               |            |          | 9,600 *  | 7,600 |    |    |                   |            |  |  |  |  |  |
| 170               |            |          | 9,000 *  | 7,000 |    |    |                   |            |  |  |  |  |  |
| 175               |            |          | 8,500 *  | 6,700 |    |    |                   |            |  |  |  |  |  |
| 180               |            |          | 8,100 *  | 6,200 |    |    |                   |            |  |  |  |  |  |
| 185               |            |          | 7,400 *  | 5,900 |    |    |                   |            |  |  |  |  |  |
| 190               |            |          | 7,000 *  | 5,500 |    |    |                   |            |  |  |  |  |  |
| 195               |            |          | 6,600 *  | 5,100 |    |    |                   |            |  |  |  |  |  |
| 200               |            |          |          | 4,800 |    |    |                   |            |  |  |  |  |  |
| 205               |            |          |          |       |    |    |                   |            |  |  |  |  |  |
| 210               |            |          |          |       |    |    |                   |            |  |  |  |  |  |

# CK1600-II Luffing Jib

---

**Note:** Due to our policy of continual product improvement, all designs and specifications are subject to change without advance notice. Pictures inside this publication may show machines with optional equipment. This manual and the specifications herein were prepared for the market served by Kobelco Cranes North America Inc. including North America and Latin America. Kobelco product specifications in other world markets may differ.

---

## **KOBELCO CRANES CO., LTD**

Oval Court Ohsaki Mark West Bldg., 17-1, Higashigotanda 2-chome,  
Shinagawa-ku, Tokyo, 141-8626 JAPAN  
Tel: ++81 (0) 3-5789-2130 Fax: ++81 (0) 3-5789-3372

## **KOBELCO CRANES NORTH AMERICA INC.**

10845 Train Court  
Houston Texas 77041 U.S.A  
Tel: 713-856-5755 Fax: 713-856-9072  
[www.kobelcocranesnorthamerica.com](http://www.kobelcocranesnorthamerica.com)